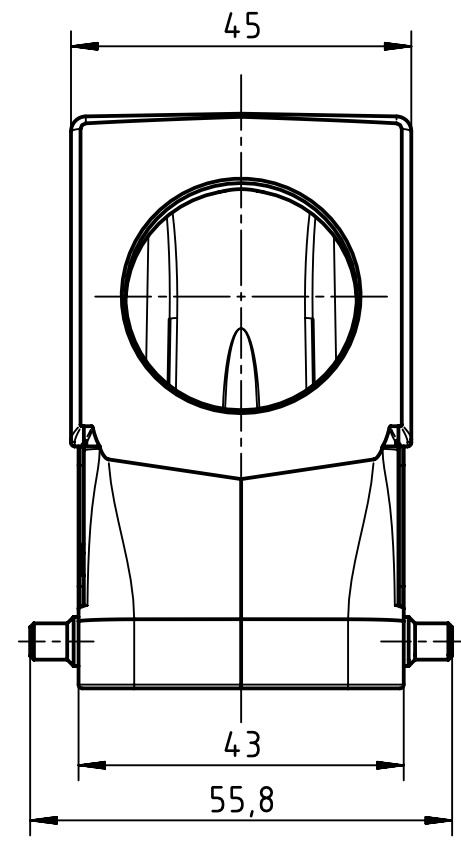
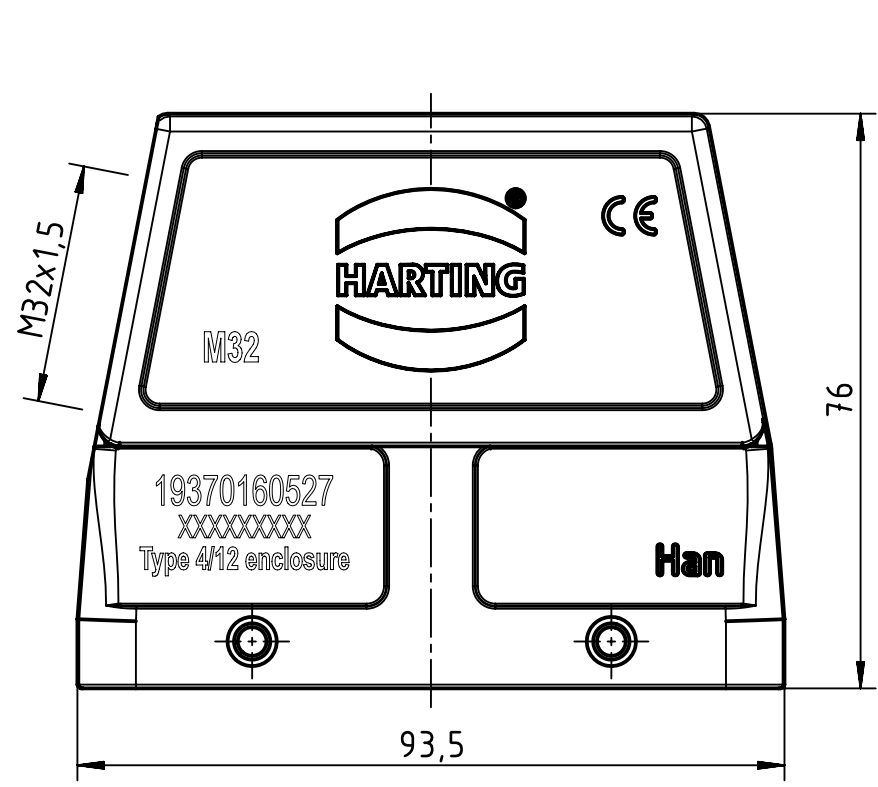
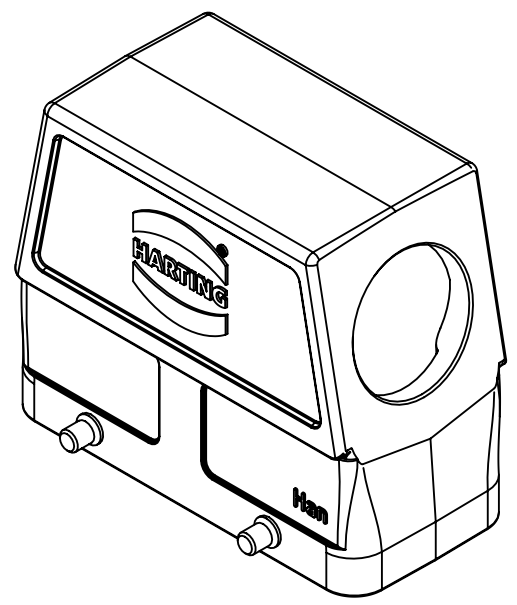
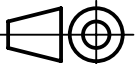



1 2 3 4 5 6

A  
B  
C  
D



 All Dimensions in mm Original Size DIN A4	Scale 1:1	Free size tol.			Ref.		
	 All rights reserved Department EL PD		Created by OLFERTM	Inspected by GERB	Standardisation RUETERA	Date 2020-07-14	State Final Release
HARTING Electric GmbH & Co. KG D-32339 Espelkamp		Title Han 16M-gs-M32			Doc-Key / ECM-Nr. 100222908/UGD/002/E 500000175894		
		Type TB	Number 19 37 016 0527			Rev. E	Page 1/1