

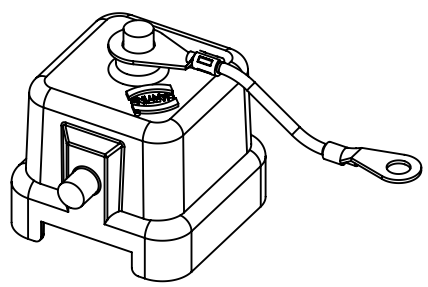
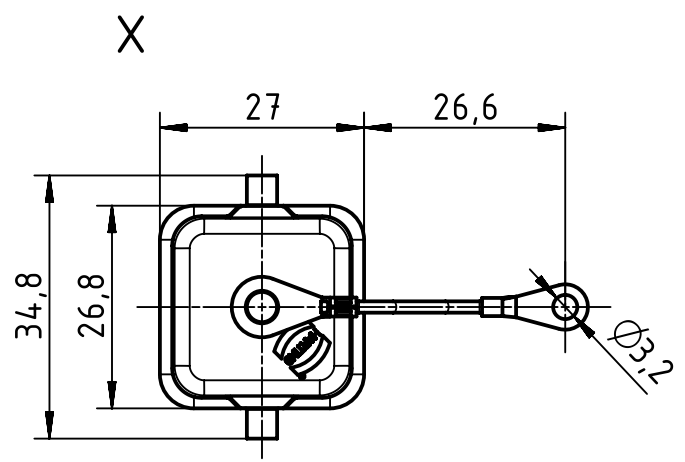
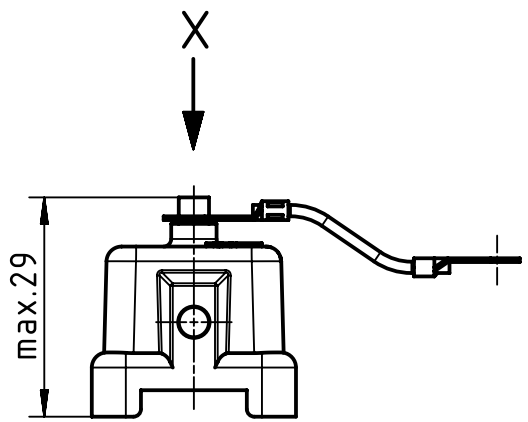
1 2 3 4 5 6

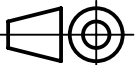

A

B

C

D



 All Dimensions in mm Original Size DIN A4	Scale 1:1		Free size tol.		Ref.	
					Sub. TB 09 20 003 5450 v. 17.02.06	
 All rights reserved Department EL PD	Created by RULLKOETTER		Inspected by SCHNIEDER		Standardisation RUETERA	
	Date 2018-10-11		State Final Release			
Title Han 3A-AK (Kunstst. sw)					Doc-Key / ECM-Nr. 100087254/UGD/005/A 50000014.0953	
HARTING Electric GmbH & Co. KG D-32339 Espelkamp		Type TB	Number 09 20 003 5450			Rev. A
						Page 1/1