

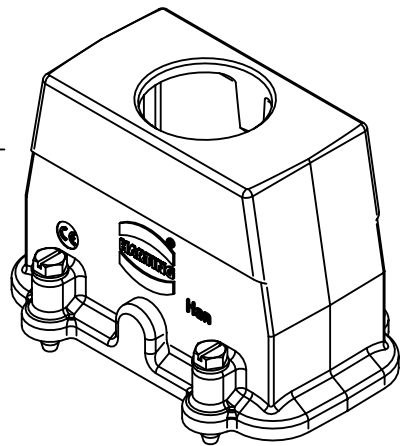
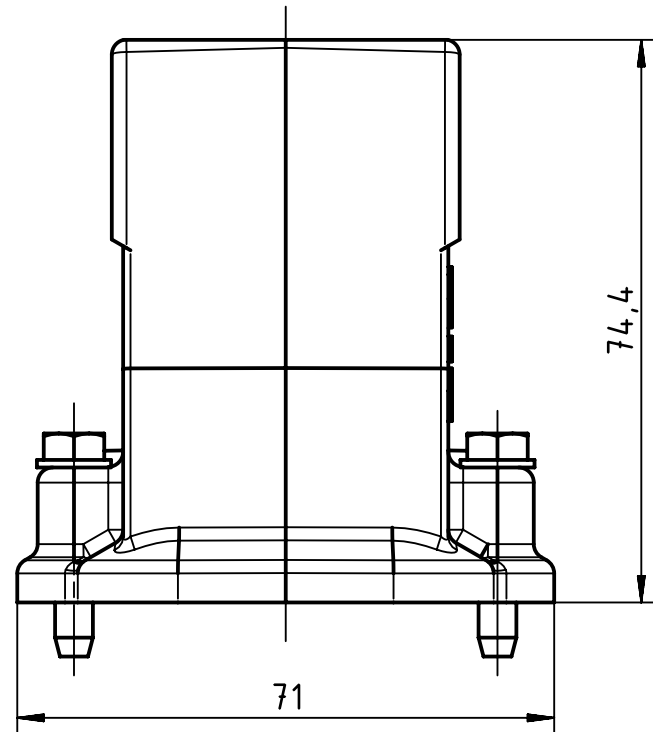
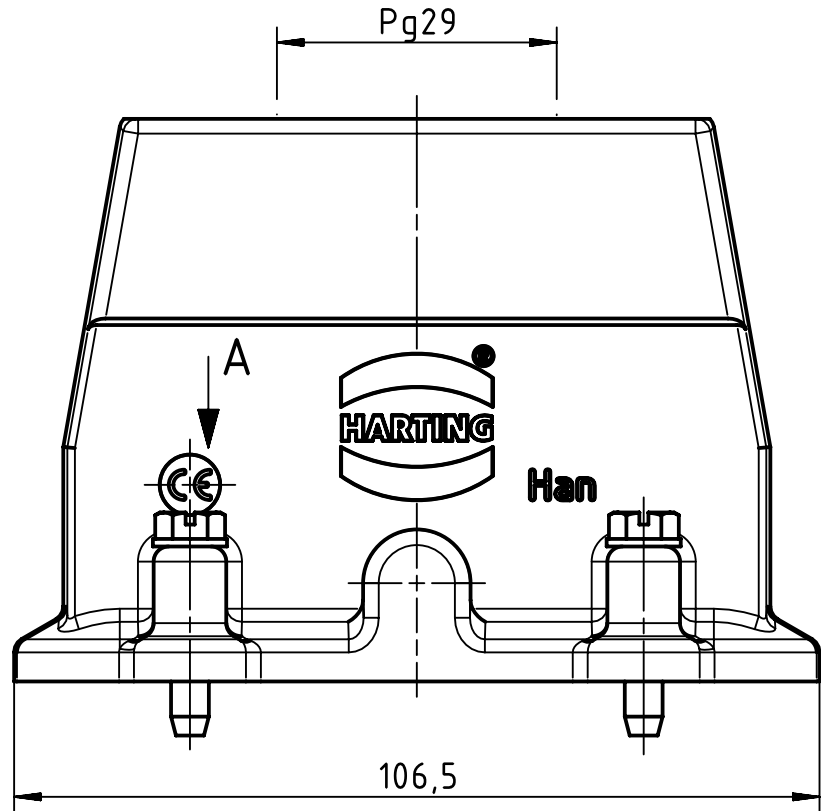
1 2 3 4 5 6

A

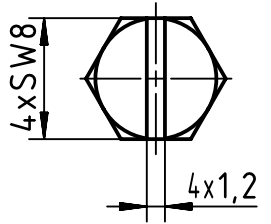
B

C

D



A (2:1)



Coating	A=	mm ²	V=	mm ³	m=	g	Mat.
	All Dimensions in mm Original Size DIN A4		Scale 1:1	Free size tol.			Ref.
	All rights reserved Department EL PD		Created by MEYERLE	Inspected by GERB	Standardisation 302077	Date 2021-04-23	State Final Release
HARTING D-32339 Espelkamp			Title Han EMC 40 Hood Top Entry PG 29			Doc-Key / ECM-Nr. 100202594 / UGD/002/C 500000193458	
			Type TB	Number 09 62 040 0441			Rev. C Page 1/1