

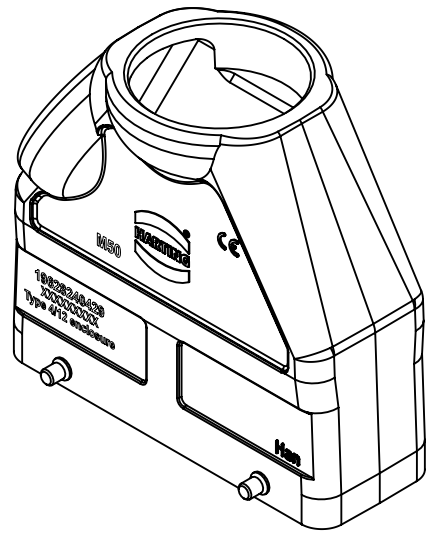
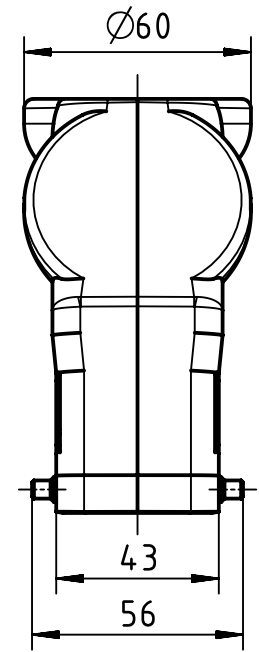
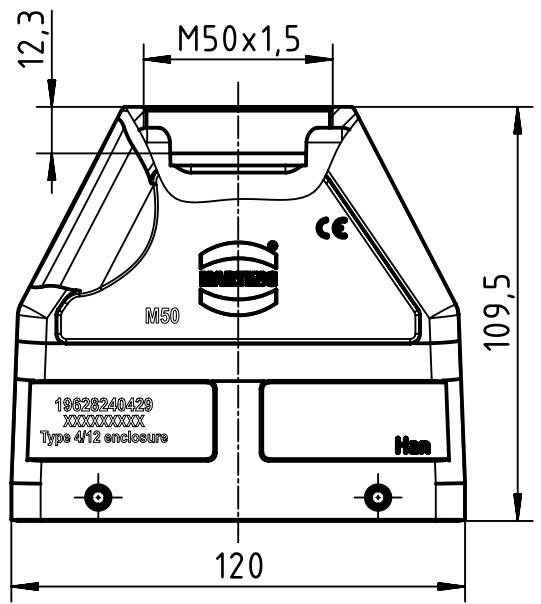
1 2 3 4 5 6

A

B

C

D



| | | | | | | |
|---|--|--|-----------------------------------|--------------------------|----------------------------|--|
| | All Dimensions in mm Original Size DIN A4 | | Scale 1:2 | Free size tol. | | Ref. |
| | | | | | | Sub. |
| | All rights reserved | | Created by SPRENB | Inspected by GERB | Standardisation RUETERA | Date 2020-07-15 |
| | Department EL PD | | Title Han 24EMC/B-HTE-M50 (HT) | | | State Final Release |
| HARTING Electric GmbH & Co. KG D-32339 Espelkamp | | | Type TB | Number 19 62 824 0429 | | Doc-Key / ECM-Nr. 100194454/UGD/003/D 500000161737 |
| | | | | | Rev. D | Page 1/1 |