

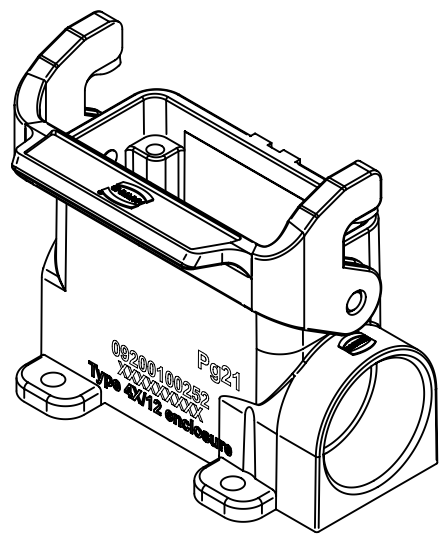
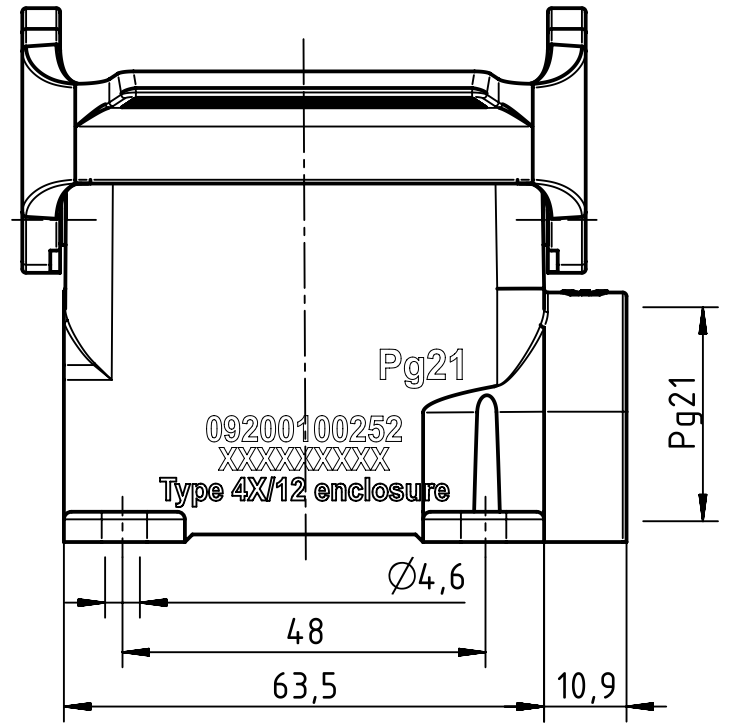
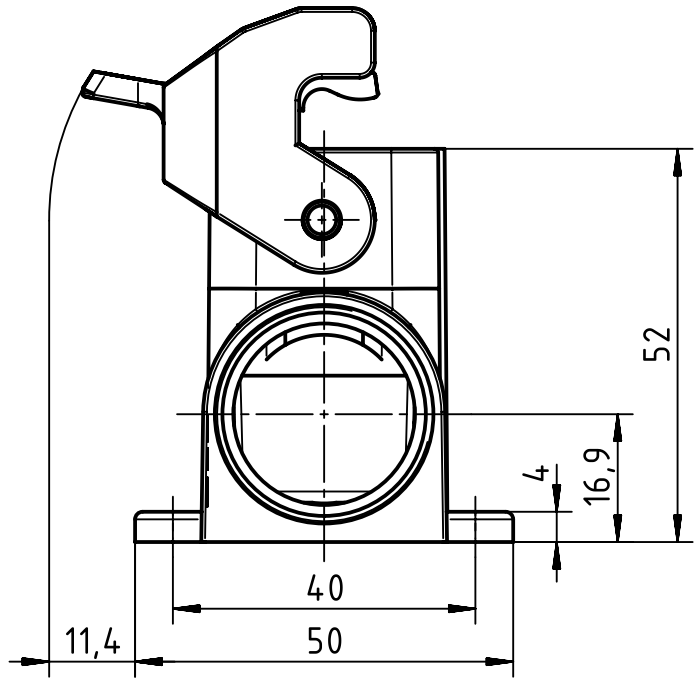
1 2 3 4 5 6

A

B

C

D



	All Dimensions in mm Original Size DIN A4		Scale 1:1	Free size tol.		Ref. Sub. TB 09 20 010 0252 v. 23.02.93		
		All rights reserved	Created by HELLMANN	Inspected by GERB	Standardisation GARSKE	Date 2019-11-27	State Final Release	
Department EL PD		Title Han 10 A-asg1-LB-21				Doc-Key / ECM-Nr. 100189737/UGD/004/D 500000161360		
HARTING Electric GmbH & Co. KG D-32339 Espelkamp			Type TB	Number 09 20 010 0252			Rev. D	Page 1/1