

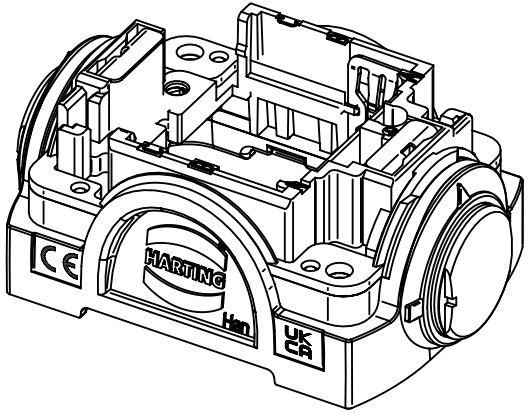
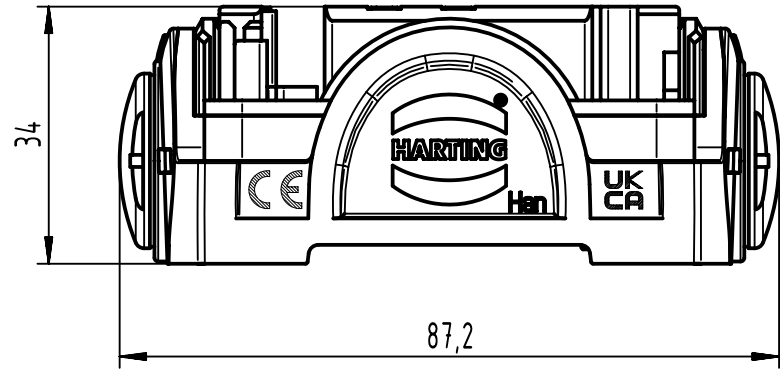
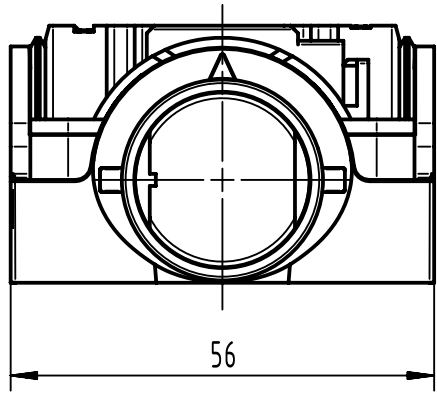
1                      2                      3                      4                      5                      6

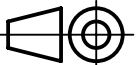

A

B

C

D



	All Dimensions in mm Original Size DIN A4		Scale 1:1	Free size tol.		Ref.		
						Sub.		
	All rights reserved		Created by HELLMANN	Inspected by GERB	Standardisation SAP_WFRT	Date 2022-01-05	State Final Release	
	Department EL PD		Title Han-Yellock 30 carrier hood button plain				Doc-Key / ECM-Nr. 100186169/UGD/005/F 500000208140	
HARTING D-32339 Espelkamp			Type TB	Number 11 12 300 0100			Rev. F	Page 1/1