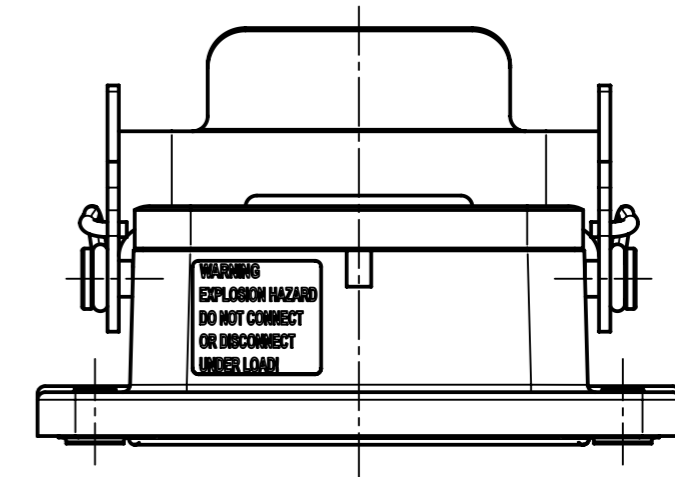
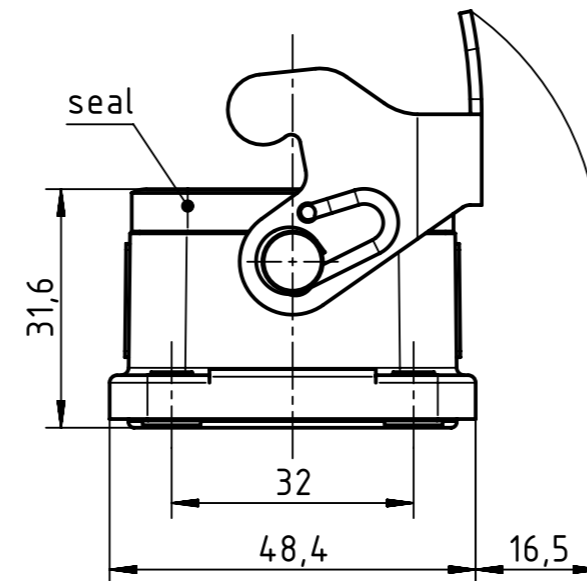
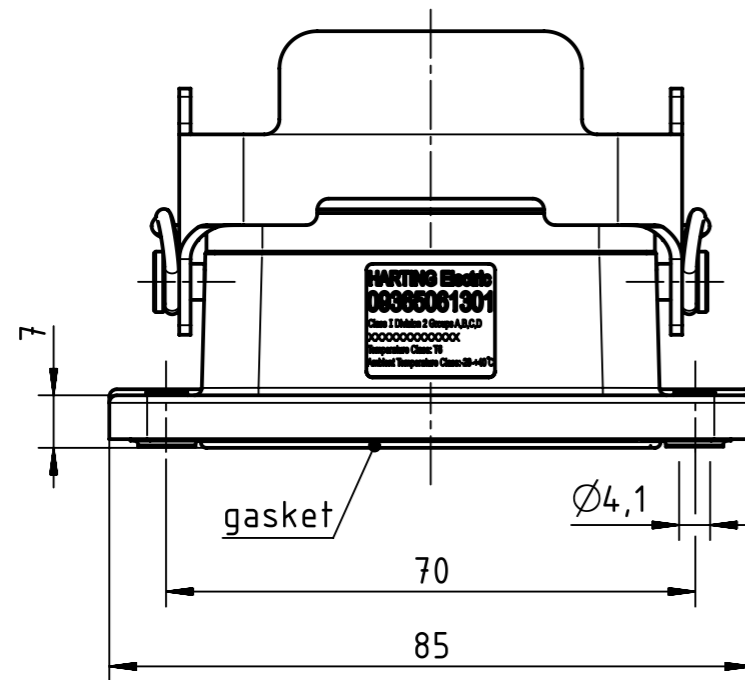
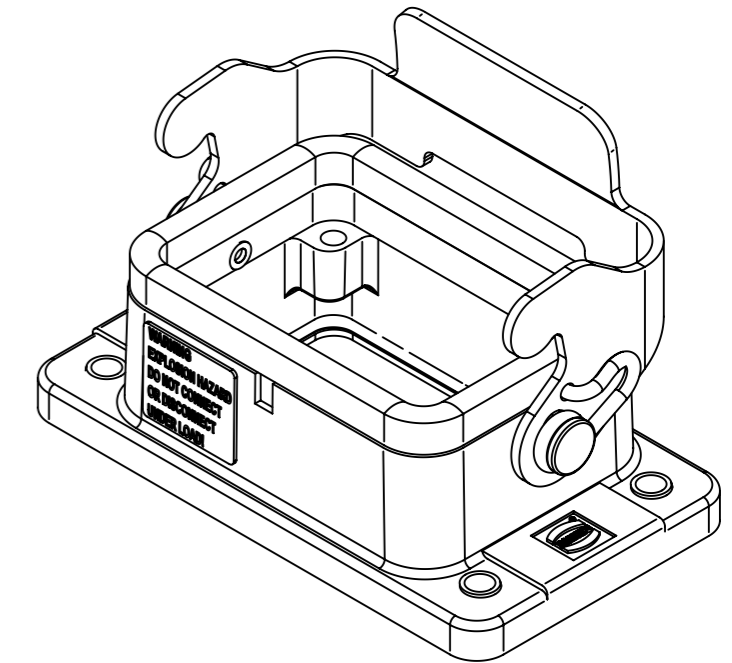


FOR USE WITH AWG 12, 14 AND 16

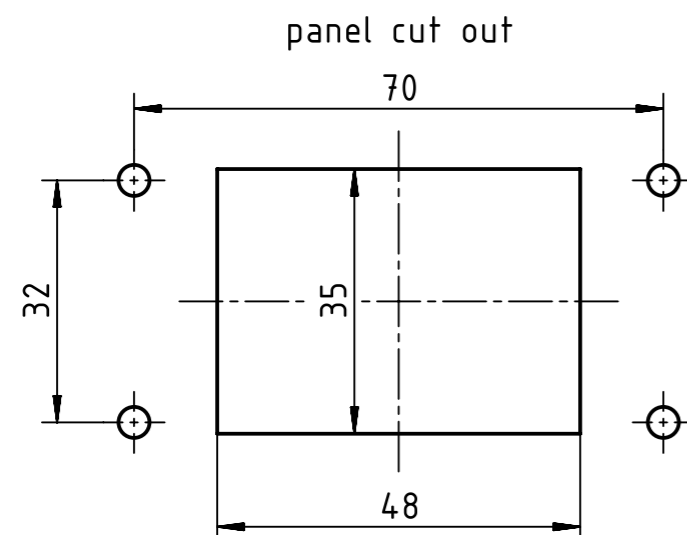
FOR USE WITH CABLE TYPE:
PLTC, PLTC-ER, ITC, ITC-ER, MC, MV AND TC

FOR USE IN CLASS I, DIVISION 2 GROUPS A, B, C AND D
HAZARDOUS LOCATIONS OR UNCLASSIFIED LOCATIONS

THE INSTALLATION MUST BE IN ACCORDANCE WITH THE ASSOCIATED LOCATION RESTRICTIONS OF THE NATIONAL ELECTRIC CODE OR CANADIAN ELECTRICAL CODE AS APPLICABLE, INCLUDING ISSUES SUCH AS THE ROUTING, SUPPORT AND LENGTH OF THE INVOLVED CORD OR CABLE.



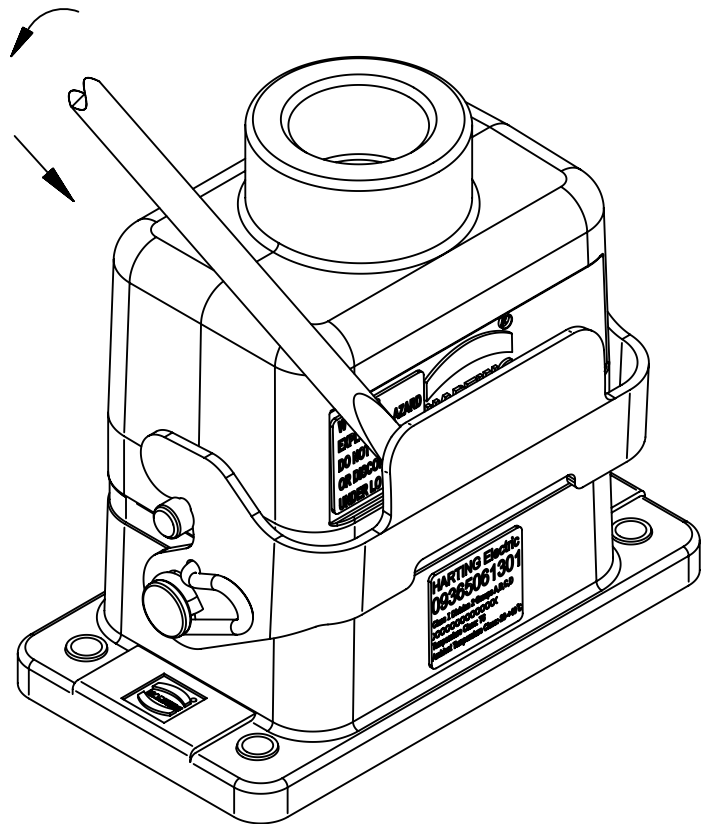
WARNING
EXPLOSION HAZARD
DO NOT CONNECT
OR DISCONNECT
UNDER LOAD!



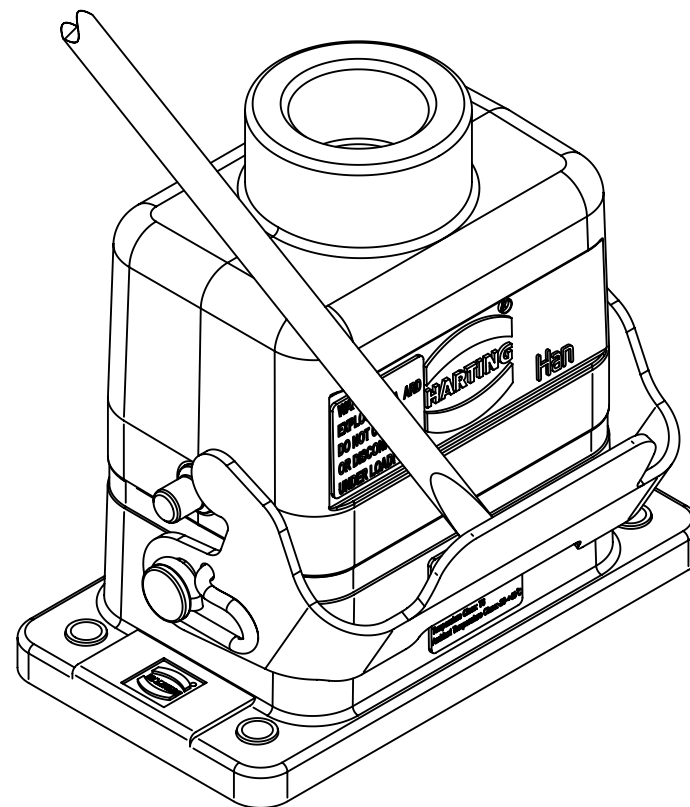
Coating	A=	mm ²	V=	mm ³	m=	g	Mat.
	All Dimensions in mm Original Size DIN A3		Scale	Free size tol.		Ref.	
			1:1			Sub.	
	All rights reserved		Created by	Inspected by	Standardisation	Date	State
	Department EL PD		LONGL	WENE	RUETERA	2018-06-26	Final Release
HARTING (Zhuhai) Manufacturing Co., Ltd.		Title		Han 6Ex UL-HBM-SL		Doc-Key / ECM-Nr.	
519085 Zhuhai, China		Type		Number		100670457/UGD/000/D 500000136857	
		TB		09 36 506 1301		Rev. D	Page 1/2

A

1.



2.



B

C

To separate connectors, insert small flat head tool or screwdriver between metal lever and housing as shown in the diagram,. Press screwdriver in a downward direction until the metal lever releases.

D

To secure the hood and housing assembly together, press the metal levers in the upward direction until metal lever latches into housing pins.