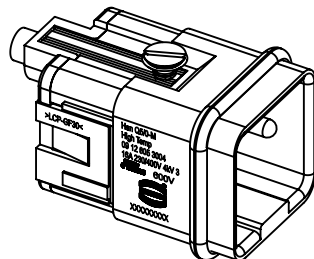
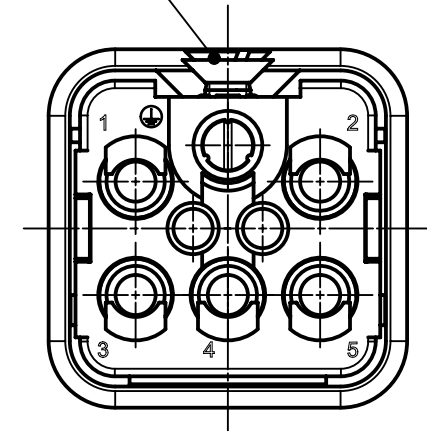


countersunk-head screw M3x6,
enclosed separately



	All Dimensions in mm Original Size DIN A4	Scale	Free size tol.			Ref.
		2:1				Sub.
	All rights reserved Department EL PD	Created by	Inspected by	Standardisation	Date	State
		MOELLERLI	BEISCHER	GARSKE	2020-02-25	Final Release
HARTING Electric GmbH & Co. KG D-32339 Espelkamp		Title				Doc-Key / ECM-Nr. 100719616/UGD/000/E 500000167310
		Han Q 5/0 HighTemp-M-c				
		Type	Number		Rev.	Page
		TB	09 12 805 3004		E	1/1