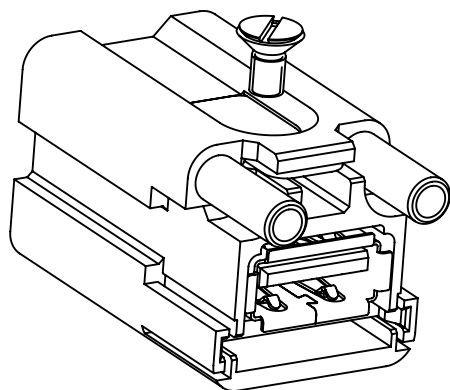
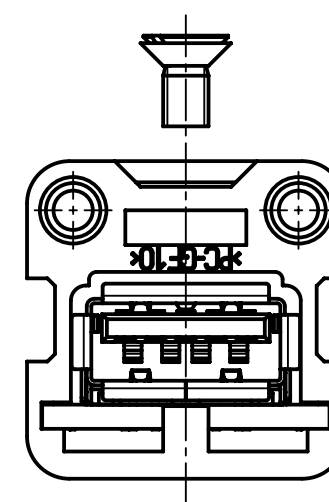
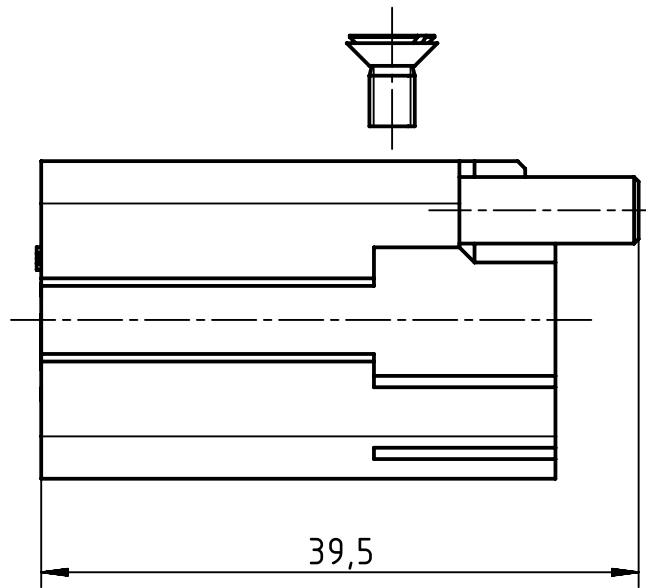
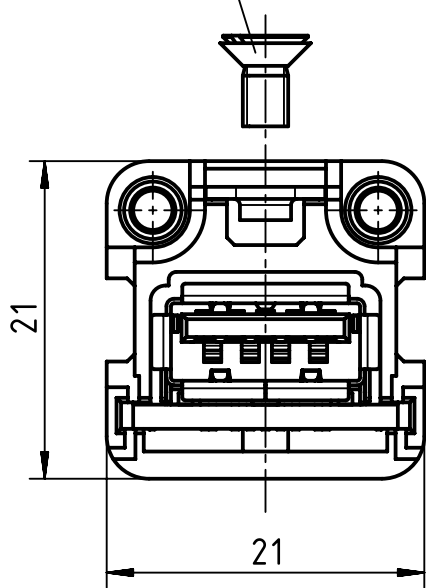



M3 screw is enclosed



	All rights reserved Department EL PD	All Dimensions in mm Original Size DIN A4	Scale 2:1	Free size tol.	Ref.
		HARTING Electric GmbH & Co. KG D-32339 Espelkamp	Created by SPRENB	Inspected by RIEPE	Standardisation GARSKE
Title Han Brid-USB 3.0-F panel feed through					Doc-Key / ECM-Nr. 100730165/UGD/002/B 500000151709
			Type TB	Number 09 12 001 2793	Rev. B
					Page 1/1