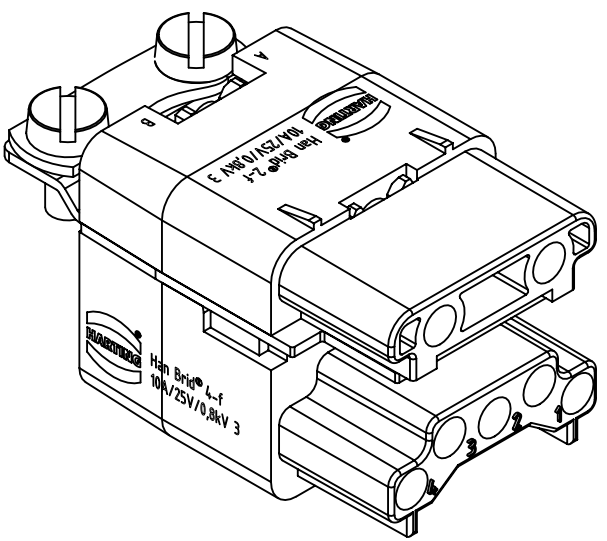


countersunk screw M3x6  
enclosed separately



	All Dimensions in mm Original Size DIN A4		Scale 2:1	Free size tol.		Ref.		
						Sub.		
	All rights reserved		Created by 100887	Inspected by SCHNIEDER	Standardisation	Date 2021-11-17	State Final Release	
	Department EL PD		Title Han Brid-bu-c + Cu-Bus-bu-c (K)				Doc-Key / ECM-Nr. 100205815/UGD/004/C 500000206324	
HARTING D-32339 Espelkamp			Type TB	Number 09 12 006 3111			Rev. C	Page 1/1