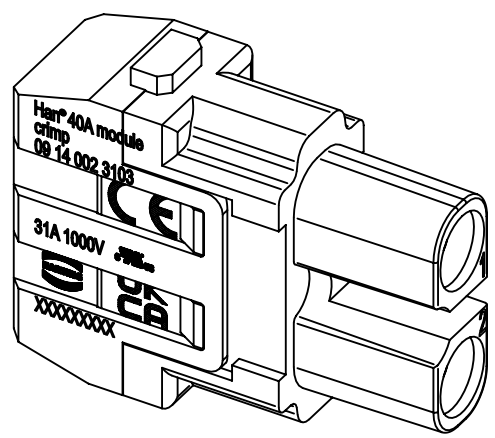
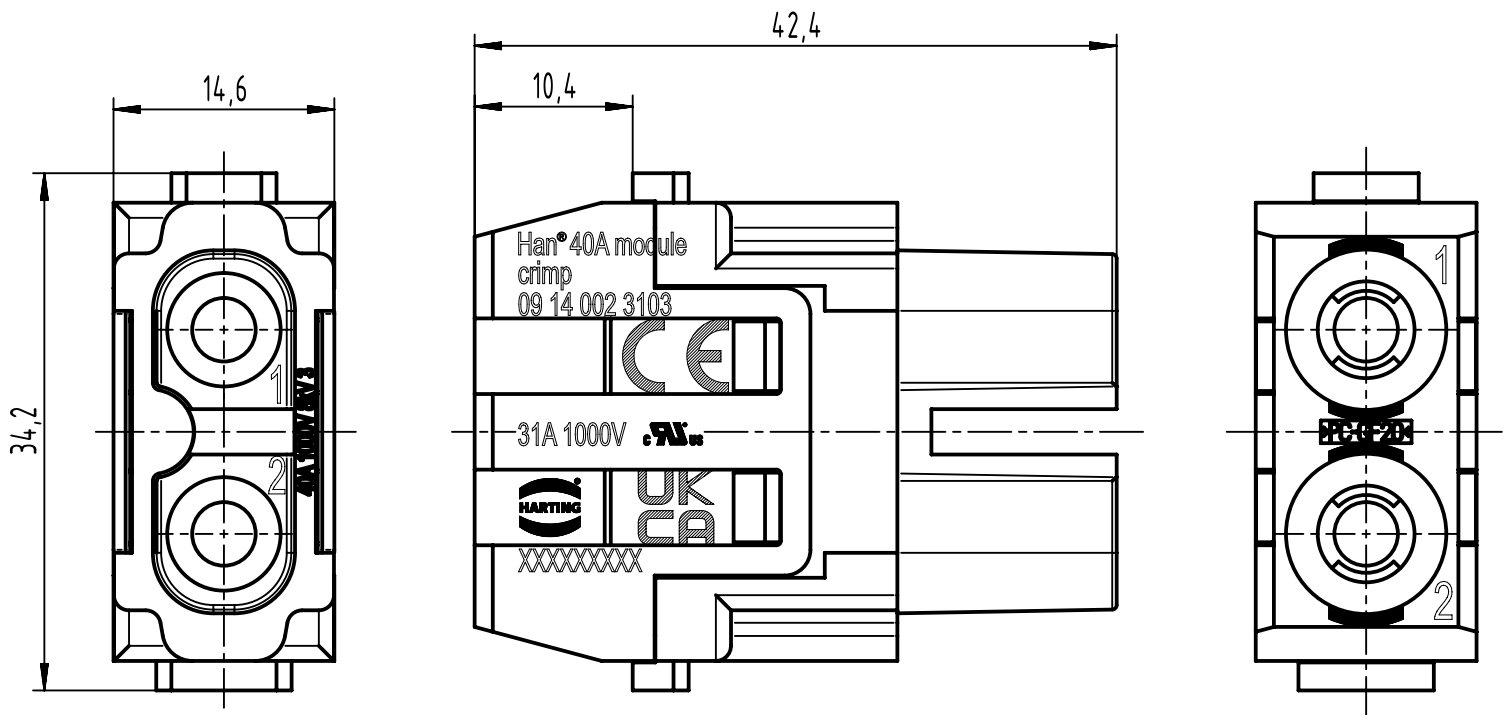


1 2 3 4 5 6

A
B
C
D



stripping length 10 mm² (AWG 8) for cable > 5 mm = 15 mm,
for cable > 6,4 mm = 18 mm

	All Dimensions in mm Original Size DIN A4		Scale 2:1	Free size tol.		Ref.		
						Sub.		
	All rights reserved		Created by HOLLERT	Inspected by SUNDERMEIER	Standardisation	Date 2023-01-31	State Final Release	
	Department EL PD		Title Han 40A crimp module, female UL 1000V				Doc-Key / ECM-Nr. 100546271/UGD/001/D 500000235937	
HARTING D-32339 Espelkamp			Type TB	Number 09 14 002 3103			Rev. D	Page 1/1