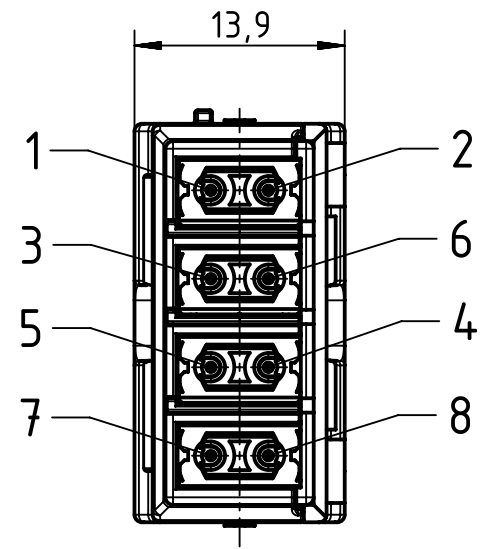
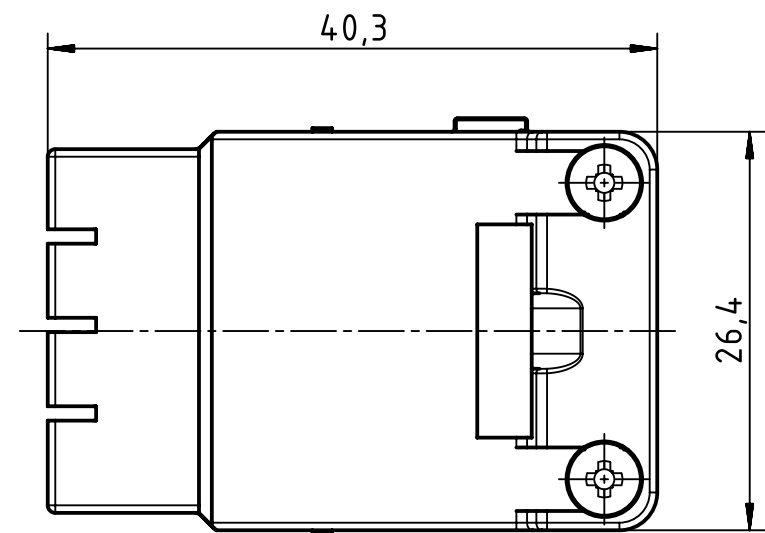


A
B
C
D

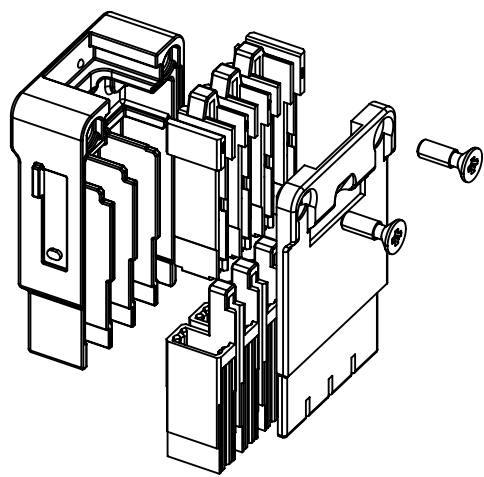


wiring acc. EIA/TIA 568A
view from termination side

green	2•	•1	white/green
orange	6•	•3	white/orange
blue	4•	•5	white/blue
brown	8•	•7	white/brown

wiring acc. EIA/TIA 568B
view from termination side

orange	2•	•1	white/orange
green	6•	•3	white/green
blue	4•	•5	white/blue
brown	8•	•7	white/brown



Kind of delivery: piece parts

	All Dimensions in mm Original Size DIN A4	Scale 2:1	Free size tol.	Ref. Sub.
	All rights reserved Department EL PD - DE	Created by RULLKOETTER	Inspected by GERB	Standardisation RUETERA
HARTING Electric GmbH & Co. KG D-32339 Espelkamp	Title Han Gigabit insert female			Date 2018-07-24
			State Final Release	Doc-Key / ECM-Nr. 100174324/UGD/007/D 500000137874
		Type TB	Number 09 14 008 3111	Rev. D Page 1/1