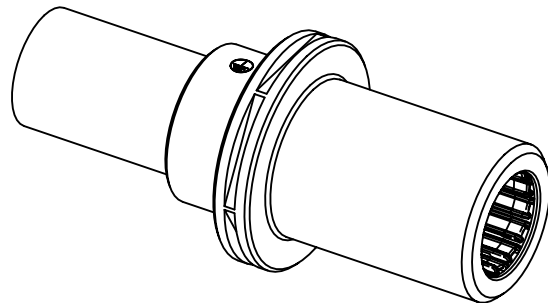



crimp zone acc. to DIN EN 46235; indicator 16
 for stranded fine wire acc. to VDE 0295 class 5 / IEC 60228 class 5
 wire gauge: 70mm²
 stripping length: 28mm



	All rights reserved Department EL PD	All Dimensions in mm Original Size DIN A4		Scale 2:1	Free size tol.	Ref. Sub.
		Created by HELLMANN	Inspected by RIEPE	Standardisation SAP_WFRT	Date 2022-09-21	State Final Release
HARTING D-32339 Espelkamp		Title Han TC350 PE female contact 70 mm ²				Doc-Key / ECM-Nr. 100730960/UGD/000/C 500000224.798
		Type TB	Number 09 11 000 6274			Rev. C
						Page 1/1