

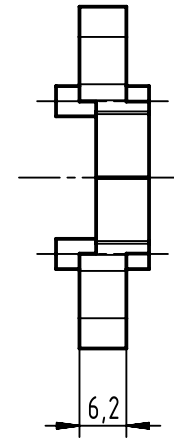
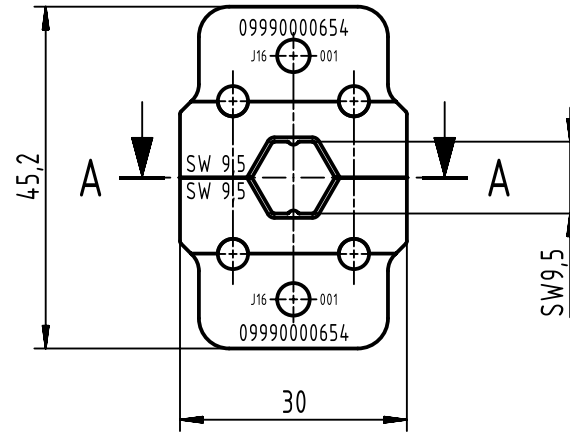
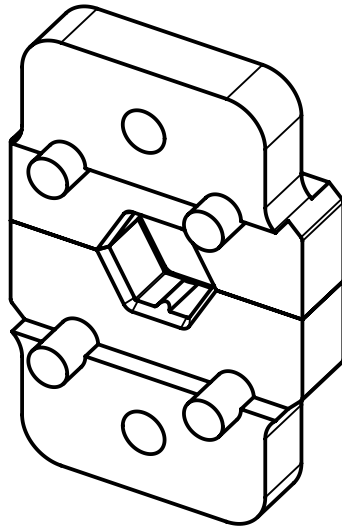
1 2 3 4 5 6

A

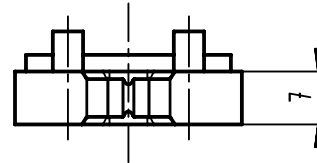
B

C

D



A-A



	All Dimensions in mm Original Size DIN A4	Scale 1:1			Free size tol.		Ref.	
		Created by HASELOH		Inspected by WAERMKER	Standardisation HOFFMANN	Date 2017-05-12	State Final Release	
	All rights reserved Department EC PD - DE	Title Crimp inserts 9,5 for tool 09990000647					Doc-Key / ECM-Nr. 100723283/UGD/001/A 500000118557	
		HARTING Electronics GmbH D-32339 Espelkamp		Type TB	Number 09990000654			Rev. A