

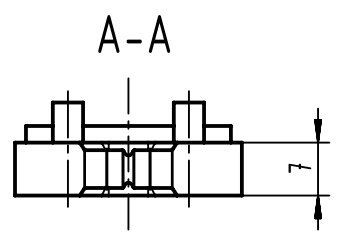
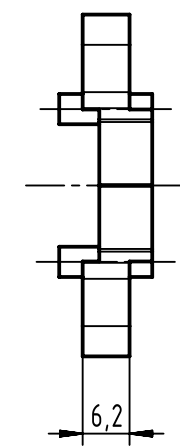
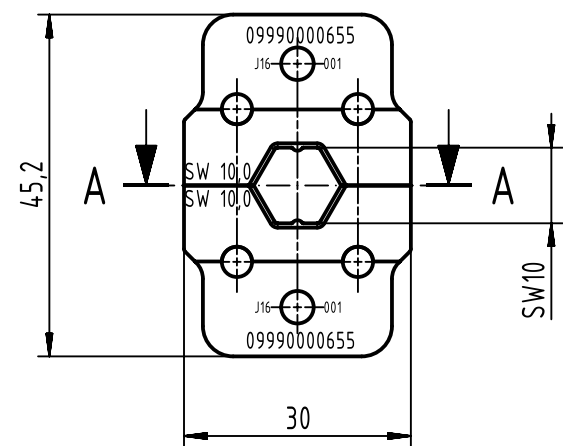
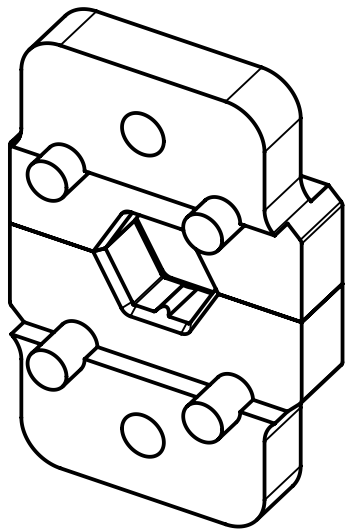
1 2 3 4 5 6

A

B

C

D



	All Dimensions in mm Original Size DIN A4	Scale	Free size tol.			Ref.	
		1:1				Sub.	
	All rights reserved Department EC PD - DE	Created by	Inspected by	Standardisation	Date	State	
		HASELOH	WAERMKER	HOFFMANN	2017-05-12	Final Release	
HARTING Electronics GmbH D-32339 Espelkamp		Title Crimp inserts 10,0 for tool 09990000647				Doc-Key / ECM-Nr. 100723287/UGD/001/A 500000118557	
		Type	Number			Rev.	Page
		TB	09990000655			A	1/1