

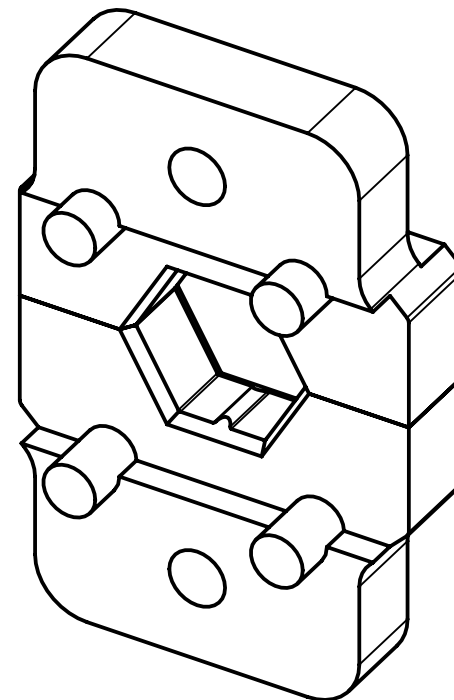
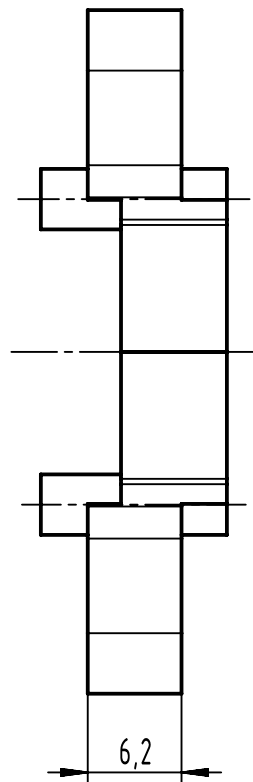
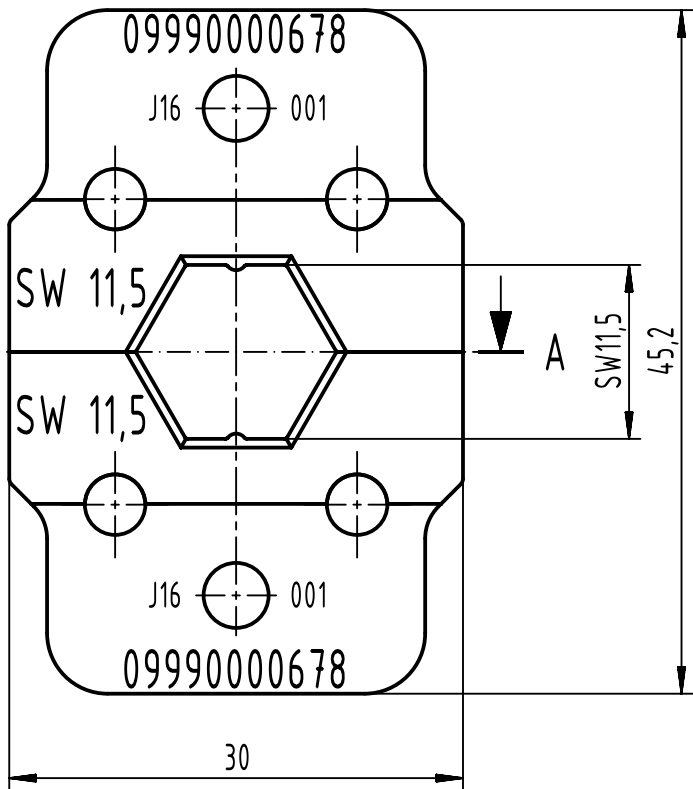
1 2 3 4 5 6

A

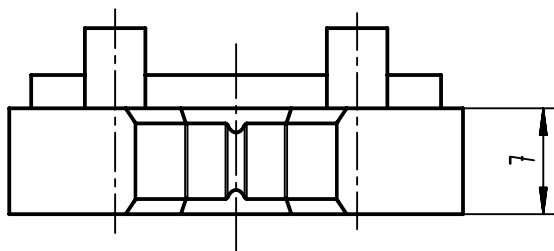
B


C

D



A-A



	All rights reserved Department EL PD	All Dimensions in mm Original Size DIN A4		Scale 2:1	Free size tol.	Ref.	
		Created by WAERMKER	Inspected by HAERTLING	Standardisation 302077	Date 2021-04-29	State Final Release	
HARTING D-32339 Espelkamp		Title Crimp inserts 11,5 for tool 09990000647				Doc-Key / ECM-Nr. 100949941/UGD/001/A 500000194278	
		Type TB	Number 09990000678			Rev. A	Page 1/1