

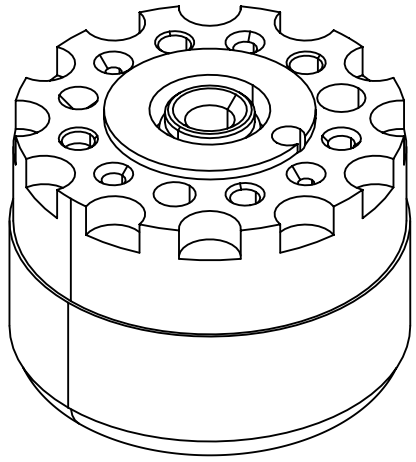
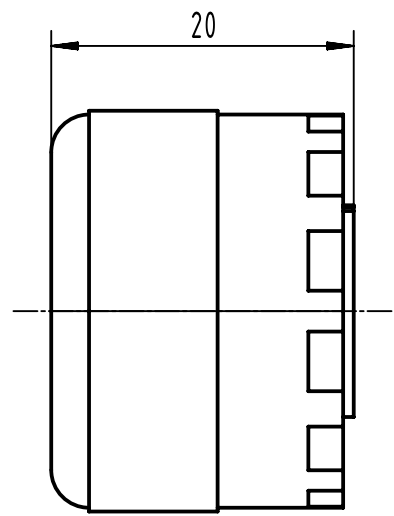
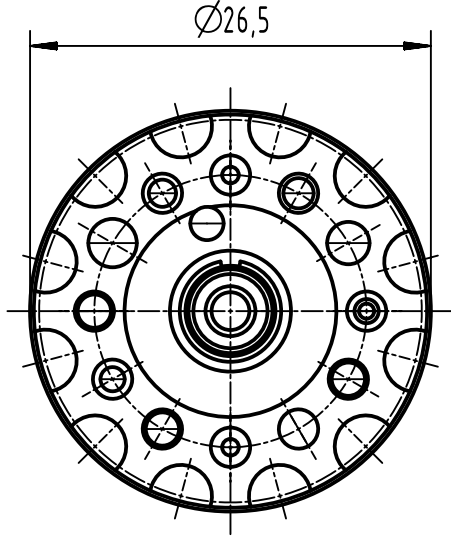
1 2 3 4 5 6

A


B

C

D



Contact Part Number	AWG	Locator Position
09 15 600 6191	22-28	B1
09 15 600 6291	22-28	B2

	All rights reserved Department EL PD	All Dimensions in mm Original Size DIN A4	Scale 2:1	Free size tol.	Ref.
		Created by 105120	Inspected by HASSEBROCKS	Standardisation	Date 2024-03-08
HARTING D-32339 Espelkamp		Title M23 locator, Ethernet contact 0.6mm			Doc-Key / ECM-Nr. 100773116/UGD/001/B 500000265251
		Type TB	Number 09 99 000 0961		Rev. B
					Page 1/1