

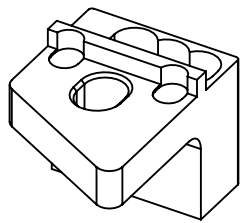
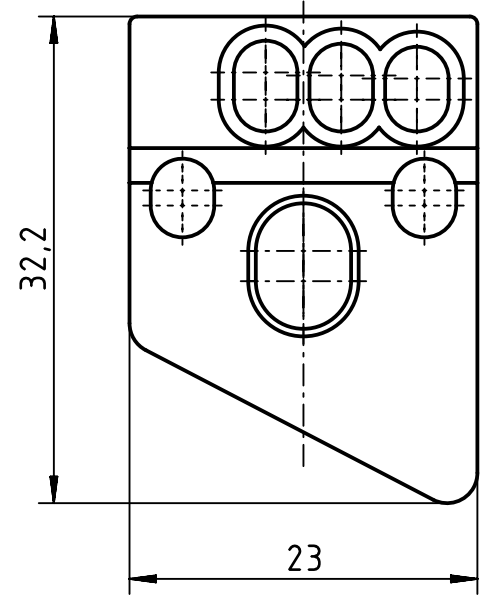
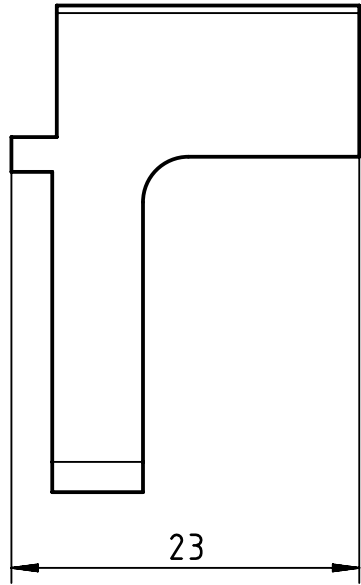
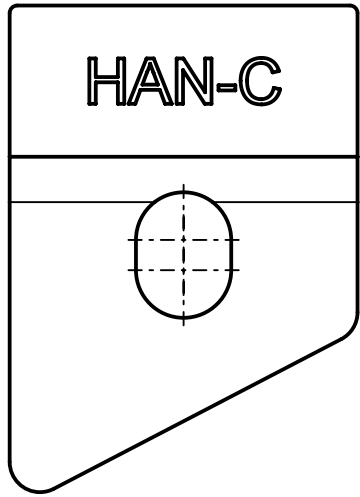
1 2 3 4 5 6

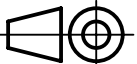

A

B

C

D



 All Dimensions in mm Original Size DIN A4	Scale	Free size tol.		Ref.	
	2:1			Sub.	
 All rights reserved Department EL PD	Created by	Inspected by	Standardisation	Date	State
	HELLMANN	RIEPE	RUETERA	2020-07-14	Final Release
HARTING Electric GmbH & Co. KG D-32339 Espelkamp	Title				Doc-Key / ECM-Nr.
	Locator Han C f. 0990				100904331/UGD/001/A 500000175868
Type		Number		Rev.	Page
TB		09 99 000 0993		A	1/1