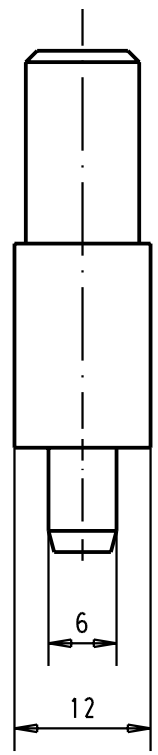
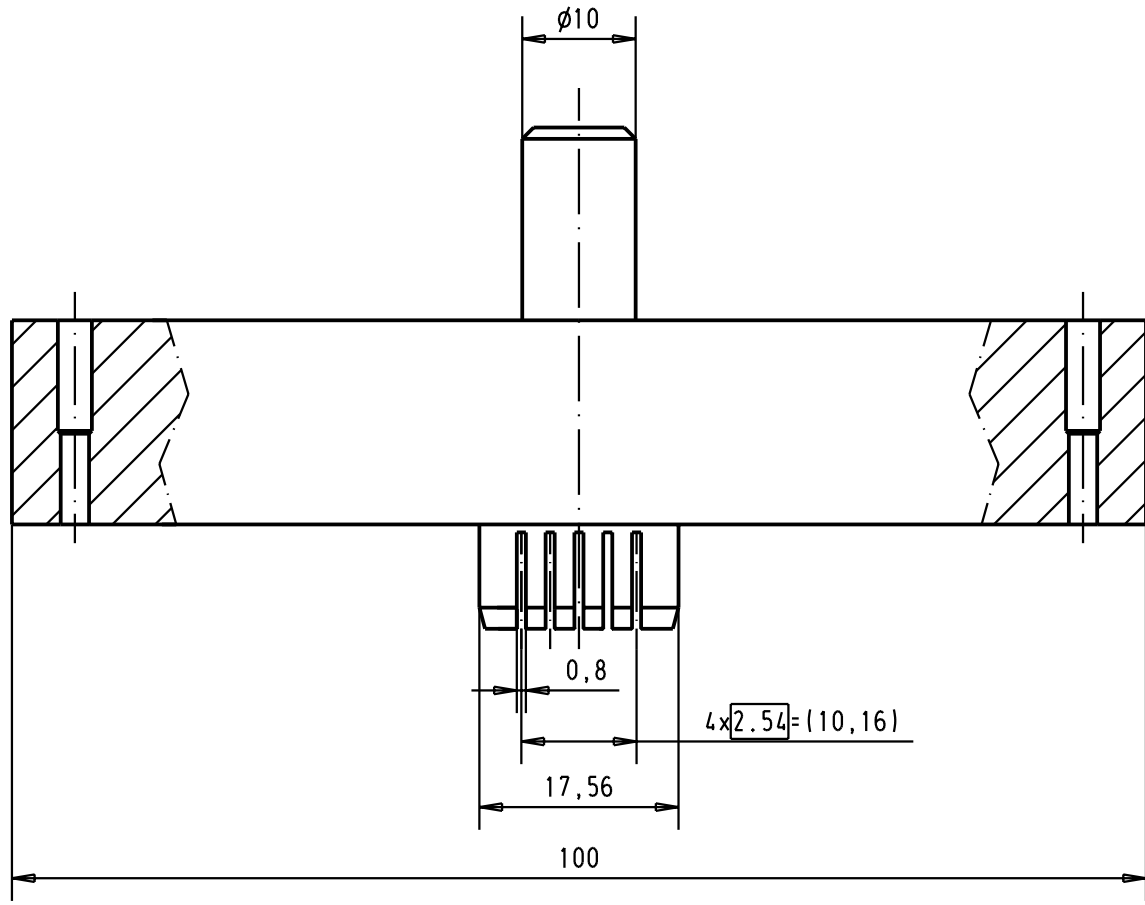


5 4 3 2 1



D
C
B
A

						<p>All Dim. in mm Orig. Size DIN A 4</p>	SEK Top tool including insert 10 poles	Maßstab/ Scale	
				Detail.	25-APR-02			CV	1.5:1
				Insp.					
				Stand.					
								Blatt/ Page	
				29778	25-APR-02	CV	TB 09990000410	1	
				Mod.	Dot.	Name		Sub.	
				HARTING EURL F-95972 Paris					