

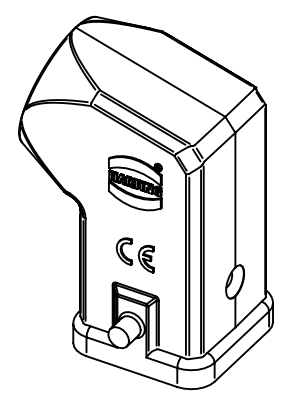
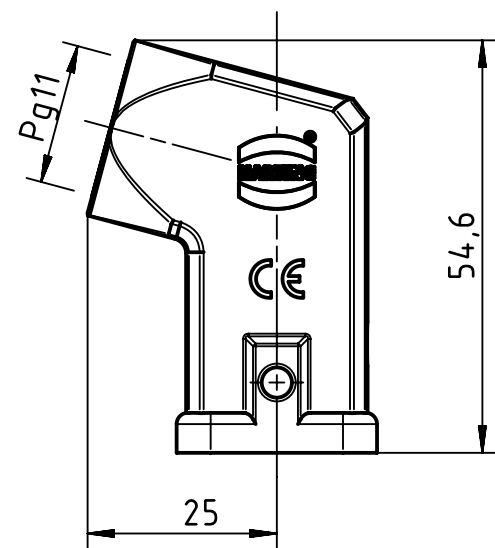
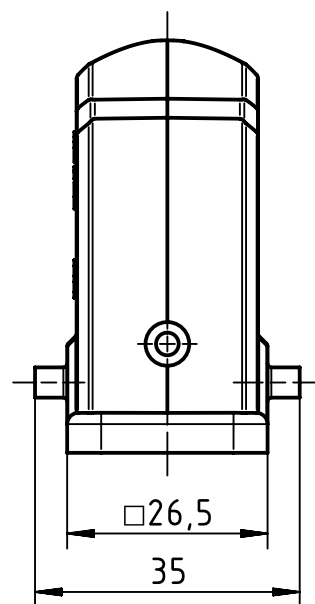
1 2 3 4 5 6

A

B

C

D



	All Dimensions in mm Original Size DIN A4		Scale 1:1	Free size tol. ISO 2768-mK	Ref.	
			Created by 402602	Inspected by PRIESTER	Standardisation GARSKE	Date 2020-08-28
All rights reserved Department EL PD		Title <b>Han 3A-GW-PG11</b>			Doc-Key / ECM-Nr. 100198413/UGD/005/B 500000177612	
HARTING Electric GmbH & Co. KG D-32339 Espelkamp		Type TB	Number 09 20 003 0620		Rev. B	Page 1/1