

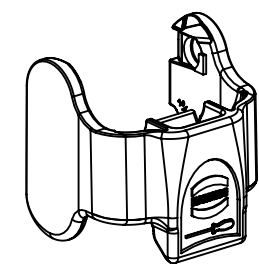
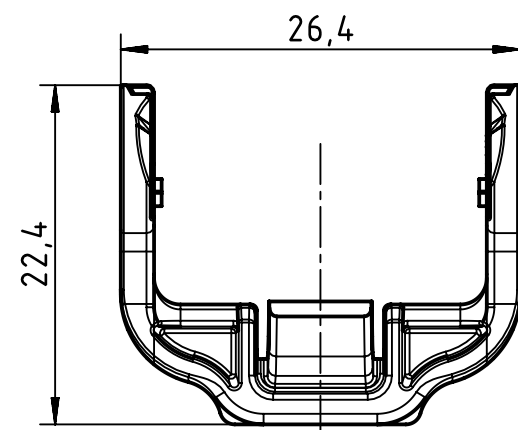
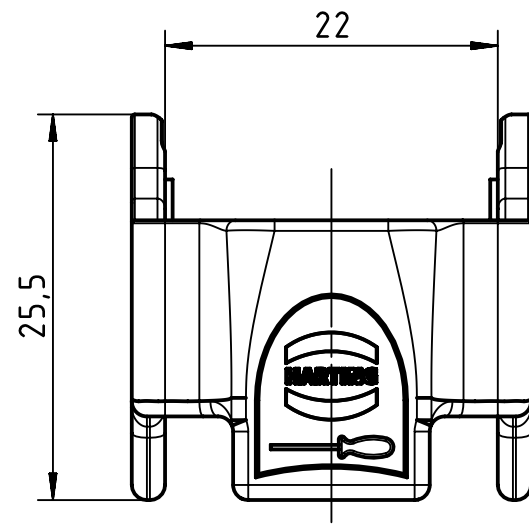
1 2 3 4 5 6

A

B

C

D



	All Dimensions in mm Original Size DIN A4		Scale 2:1	Free size tol.		Ref.	
						Sub.	
	All rights reserved		Created by DEIMEL	Inspected by GRIEPENSTROH	Standardisation 302077	Date 2021-03-08	
	Department EL PD					State Final Release	
HARTING		Title Han® S-SL orange-DNV				Doc-Key / ECM-Nr. 100834.053/UGD/001/A 500000190596	
D-32339 Espelkamp		Type TB	Number 09 93 000 9940			Rev. A	Page 1/1