

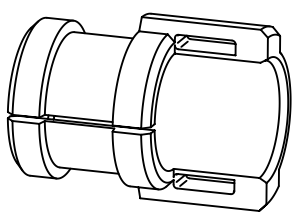
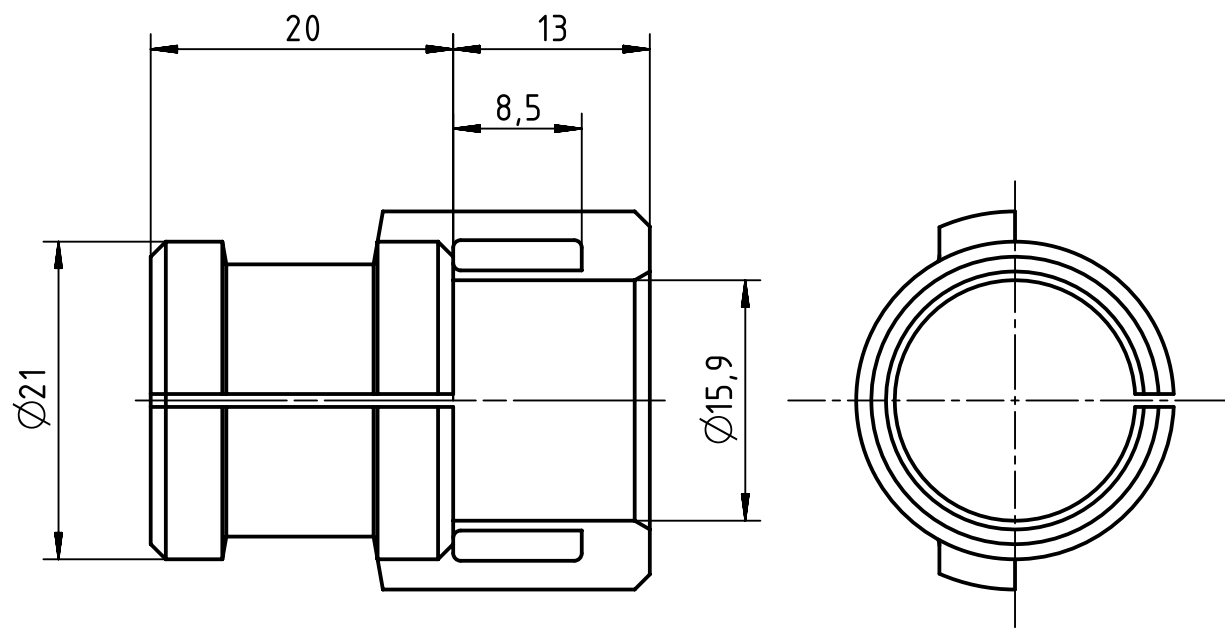
1 2 3 4 5 6

A


B

C

D



suitable cable \varnothing 15-16mm

	All rights reserved Department EL PD HARTING Electric GmbH & Co. KG D-32339 Espelkamp	All Dimensions in mm Original Size DIN A4		Scale 2:1	Free size tol.		Ref.	
		Created by DICK	Inspected by SCHNIEDER	Standardisation TIEMANNA	Date 2014-07-03	State Final Release		
Title Kabeldurchführungsstülle 15-16mm							Doc-Key / ECM-Nr. 100085390/UGD/003/A 500000076557	
Type TB				Number 09 00 000 5363			Rev. A	Page 1/1