

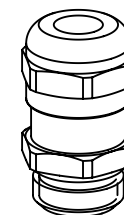
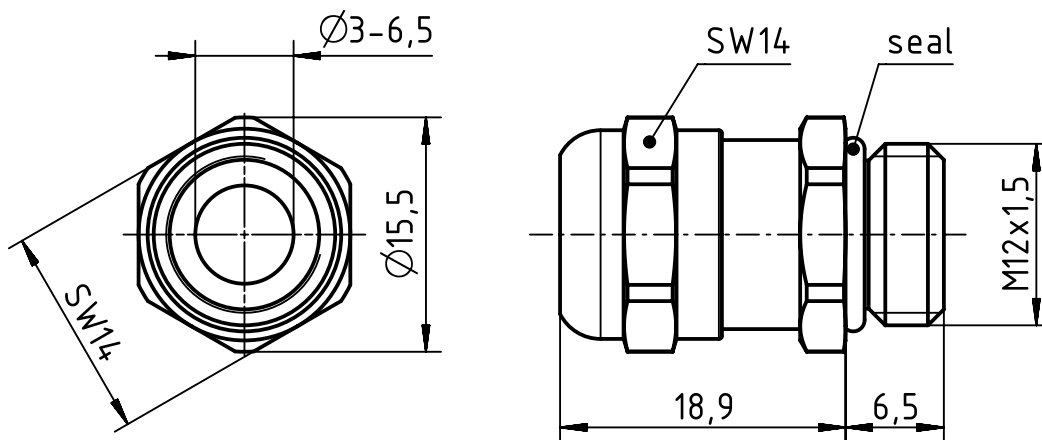
1 2 3 4 5 6

A

B

C

D



	All Dimensions in mm Original Size DIN A4		Scale 2:1	Free size tol.		Ref.		
						Sub.		
	All rights reserved		Created by WULF	Inspected by 103979	Standardisation GARSKE	Date 2020-04-22	State Final Release	
	Department EL PD		Title Han CGM-M M12x1,5 D. 3-6,5mm				Doc-Key / ECM-Nr. 100775578/UGD/002/B 500000167621	
HARTING Electric GmbH & Co. KG D-32339 Espelkamp			Type TB	Number 19 00 000 5026			Rev. B	Page 1/1