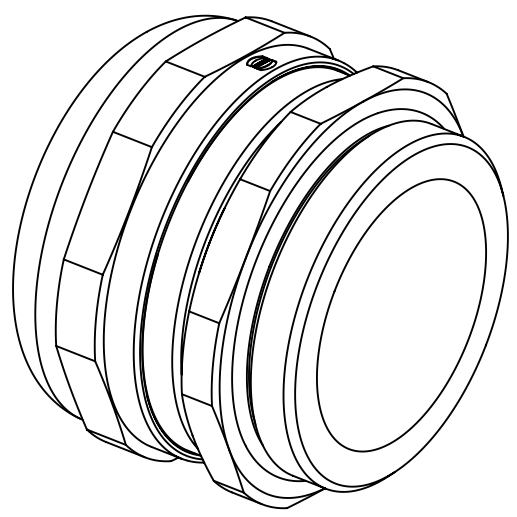
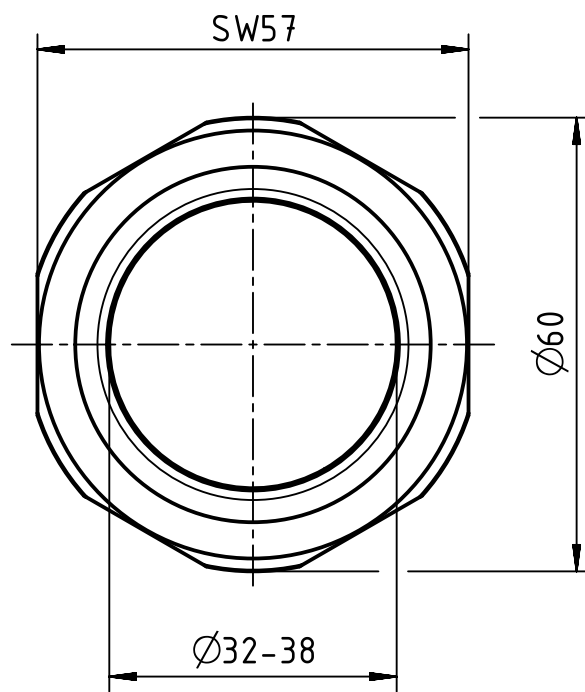
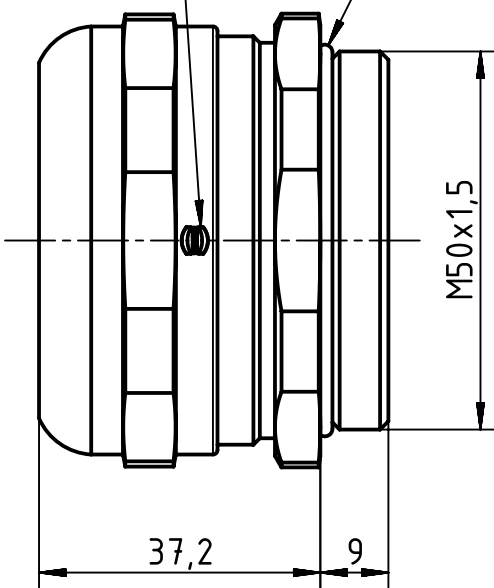



1 2 3 4 5 6

A
B
C
D

Position of the Logo may vary

O-Ring included



	All Dimensions in mm Original Size DIN A4		Scale 1:1	Free size tol.		Ref.	
	All rights reserved Department EL PD - DE		Created by LONGL	Inspected by DINGB	Standardisation TIEMANNA	Date 2016-03-15	State Final Release
HARTING Electric GmbH & Co. KG D-32339 Espelkamp		Title Han CGM-M M50x1,5 D.32-38mm				Doc-Key / ECM-Nr. 100195078/UGD/004/C 500000101773	
		Type TB	Number 19 00 000 5086			Rev. C	Page 1/1