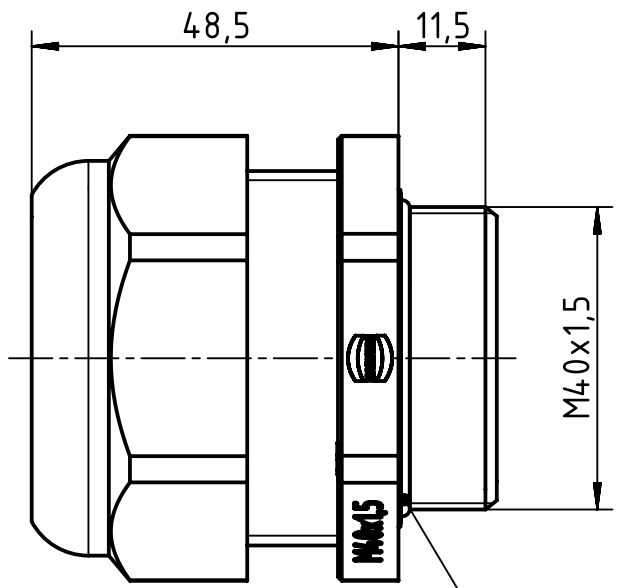


A

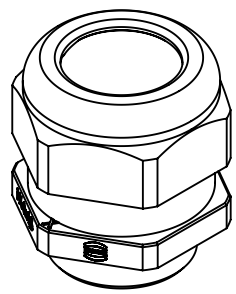
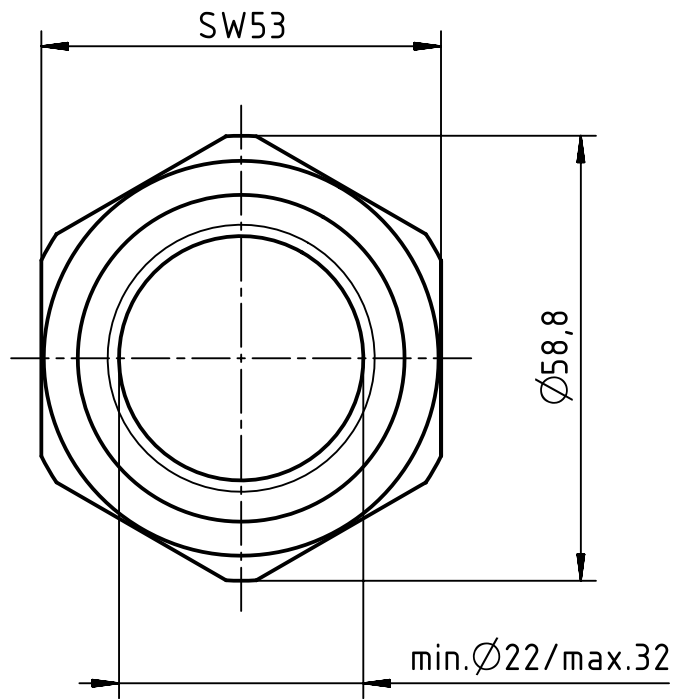
B

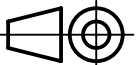

C

D



O-Ring included



 All Dimensions in mm Original Size DIN A4	Scale 1:1		Free size tol.		Ref.
	Created by ILJIN		Inspected by RIEPE	Standardisation TIEMANNA	Date 2016-03-16
 All rights reserved Department EL PD - DE HARTING Electric GmbH & Co. KG D-32339 Espelkamp	Title Han CGM-P-EXi M40 D 22...32mm			Doc-Key / ECM-Nr. 100663253/UGD/008/A 500000101502	
	Type TB	Number 19 00 000 7109			Rev. A