

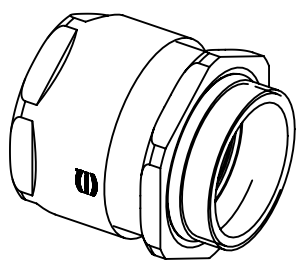
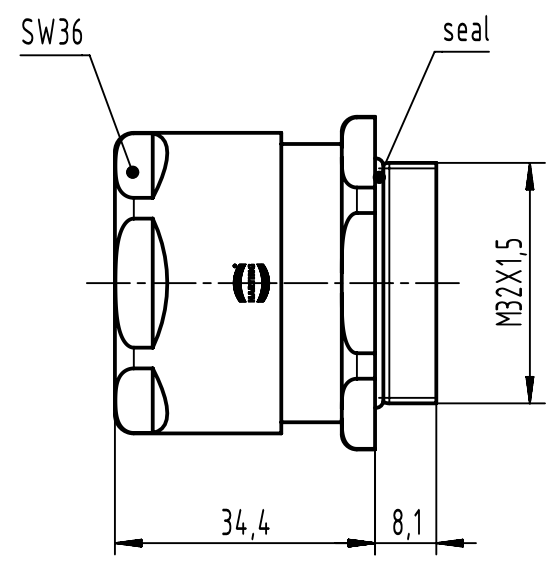
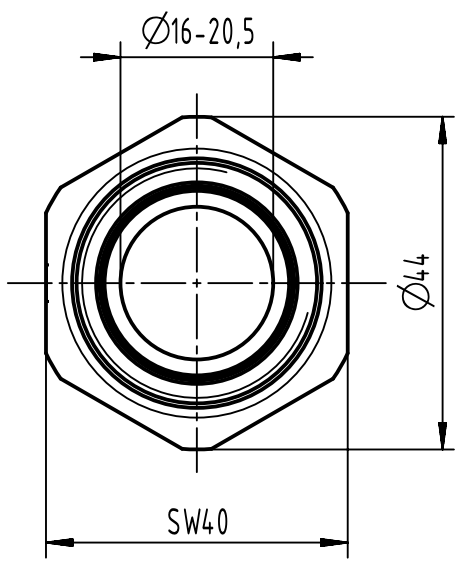
1 2 3 4 5 6


A

B

C

D



	All rights reserved Department EL PD	Created by 100887	Inspected by 104061	Standardisation 302077	Date 2021-06-08	State Final Release	
		Title Han CGM-M-Rail M32 D16-20.5mm				Doc-Key / ECM-Nr. 100824117/UGD/001/B 500000195850	
HARTING D-32339 Espelkamp		Type TB	Number 19 00 000 7124			Rev. B	Page 1/1