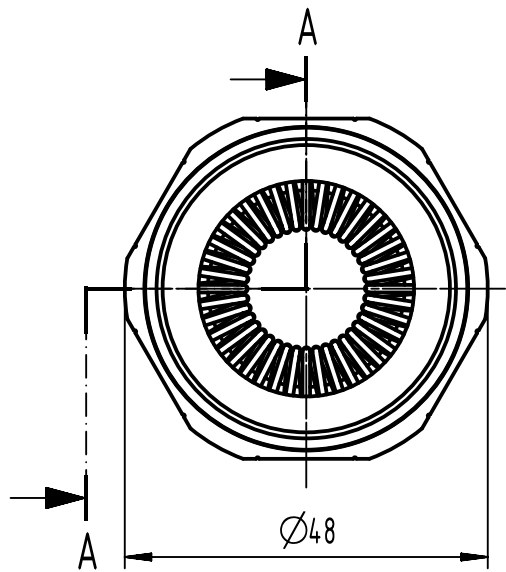


A

B

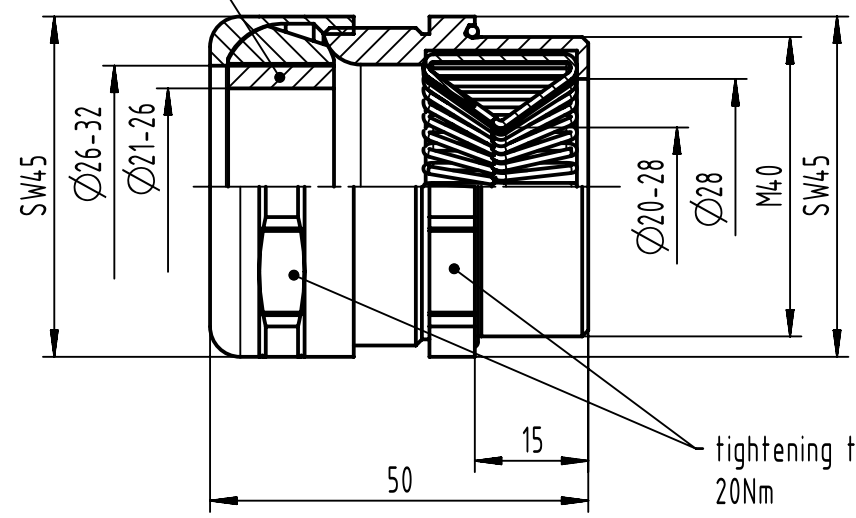
C

D

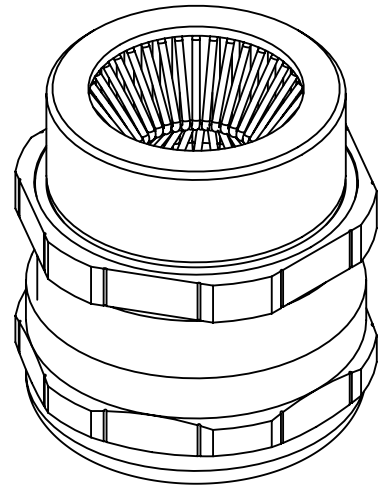


IP protection class:
IP66/ IP68/ IP69

A-A



tightening torque:
20Nm



Tighten the pressure screw until the sealing insert is flush with the outer edge of the pressure screw. Do not exceed the maximum permissible tightening torque.
Note: It is possible to exceed it.
This applies to walls with threads and through-holes with a locknut.

	All Dimensions in mm Original Size DIN A4		Scale 1:1	Free size tol.		Ref.
						Sub.
	All rights reserved		Created by DEIMEL	Inspected by KROPIEWNICKI	Standardisation	Date 2023-10-16
	Department EL PD					State Final Release
HARTING D-32339 Espelkamp			Title Han CGM-M-Rail EMC M40 21-32 mm			Doc-Key / ECM-Nr. 101026886/UGD/002/A 500000255437
			Type TB	Number 19 62 000 7126		Rev. A
						Page 1/1