

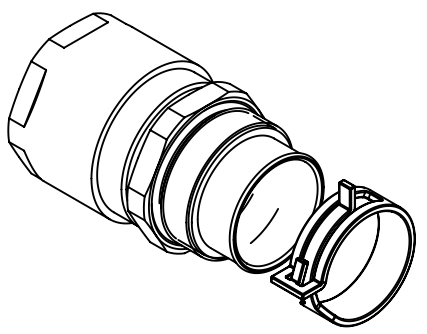
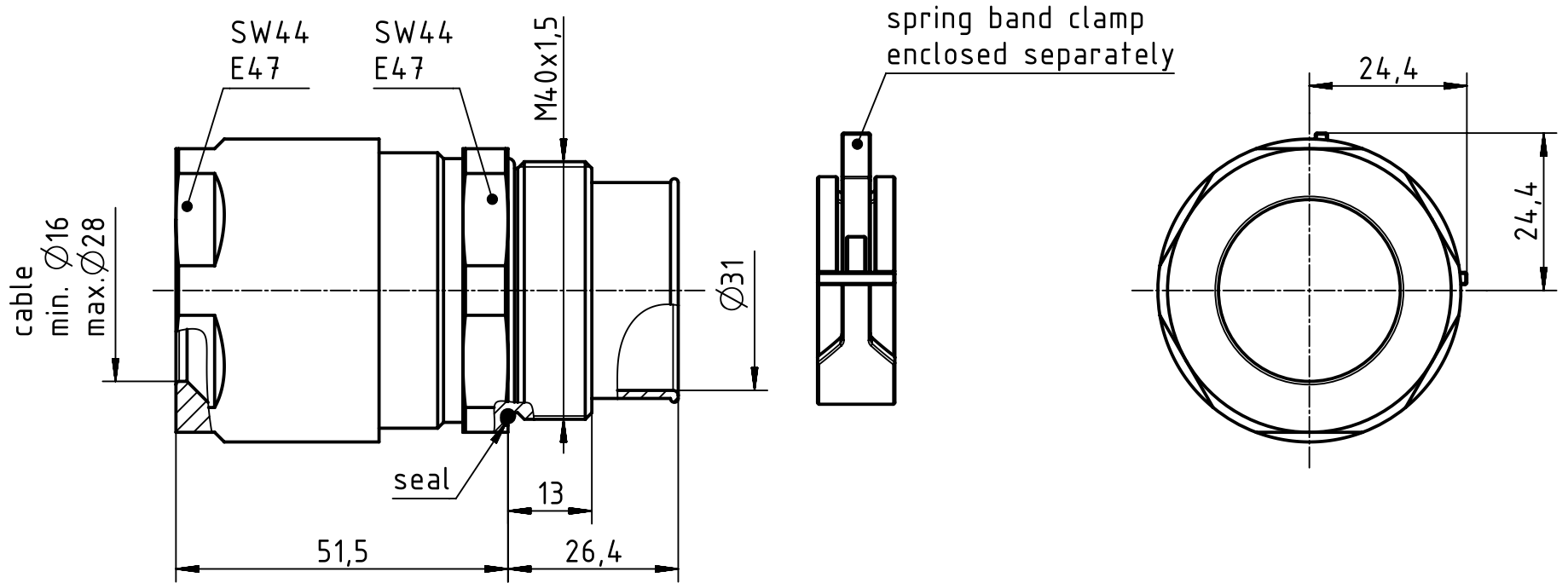
1 2 3 4 5 6

A

B

C

D



	All Dimensions in mm Original Size DIN A4		Scale 1:1	Free size tol.		Ref.		
						Sub.		
	All rights reserved		Created by TEICHRIBR	Inspected by RIEPE	Standardisation GARSKE	Date 2019-05-03	State Final Release	
	Department EL PD		Title Spec. Cable Gland M40/13mm Ø16-28 SBC				Doc-Key / ECM-Nr. 100792414/UGD/000/C 500000150838	
HARTING Electric GmbH & Co. KG D-32339 Espelkamp			Type TB	Number 19 00 000 5031			Rev. C	Page 1/1