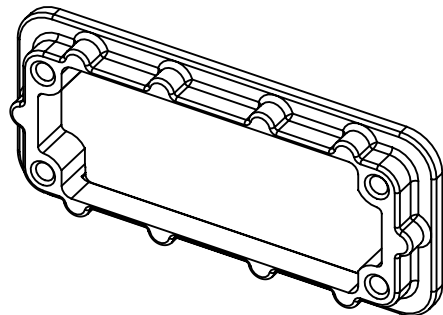
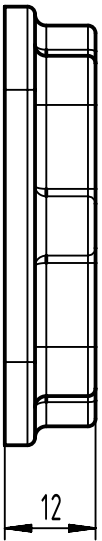
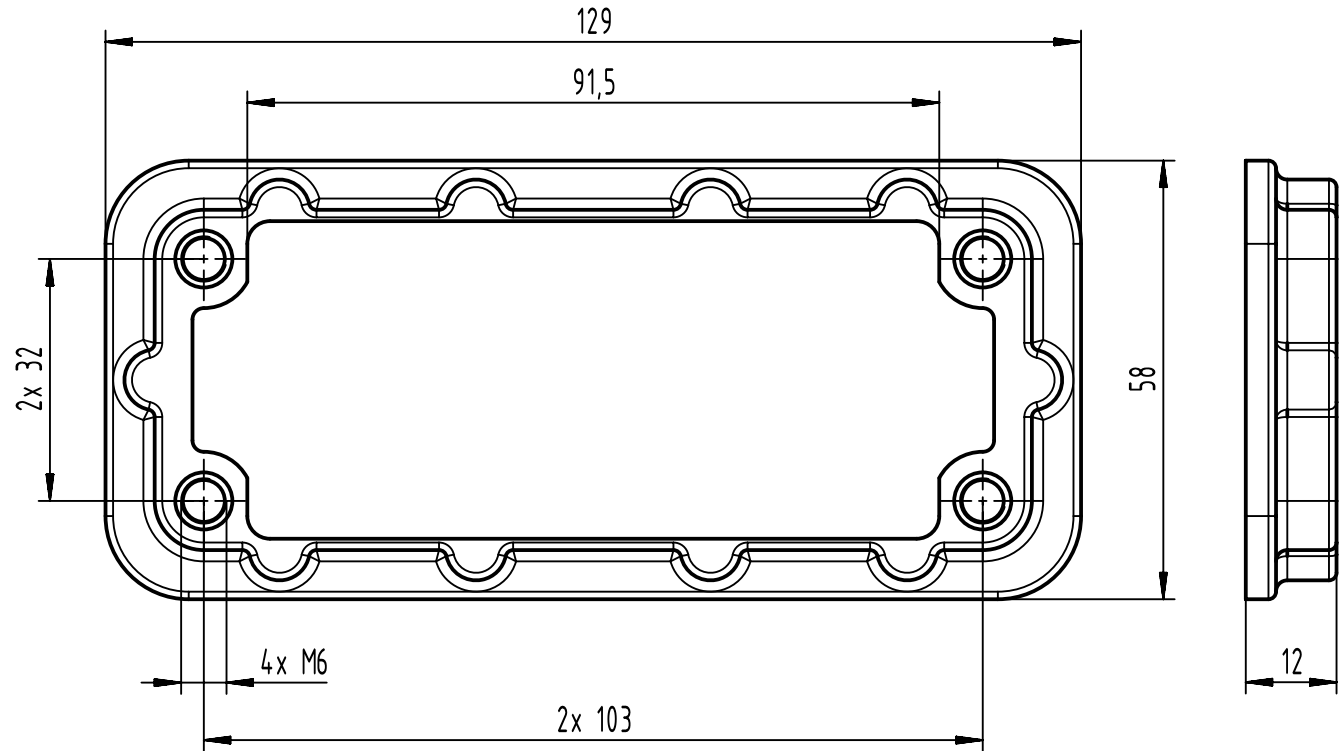
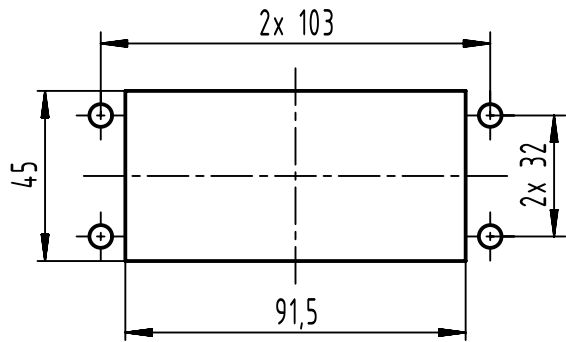



panel cut out (1:2)



	All rights reserved Department EL PD	All Dimensions in mm Original Size DIN A4		Scale 1:1	Free size tol.	Ref. Sub.
		Created by HOLLERT	Inspected by 100219	Standardisation	Date 2023-05-03	State Final Release
HARTING D-32339 Espelkamp		Title Han 16HPR-Mounting Frame f.4xHC250			Doc-Key / ECM-Nr. 100228319/UGD/002/B 500000242912	
		Type TB	Number 09 40 000 9956		Rev. B	Page 1/1