

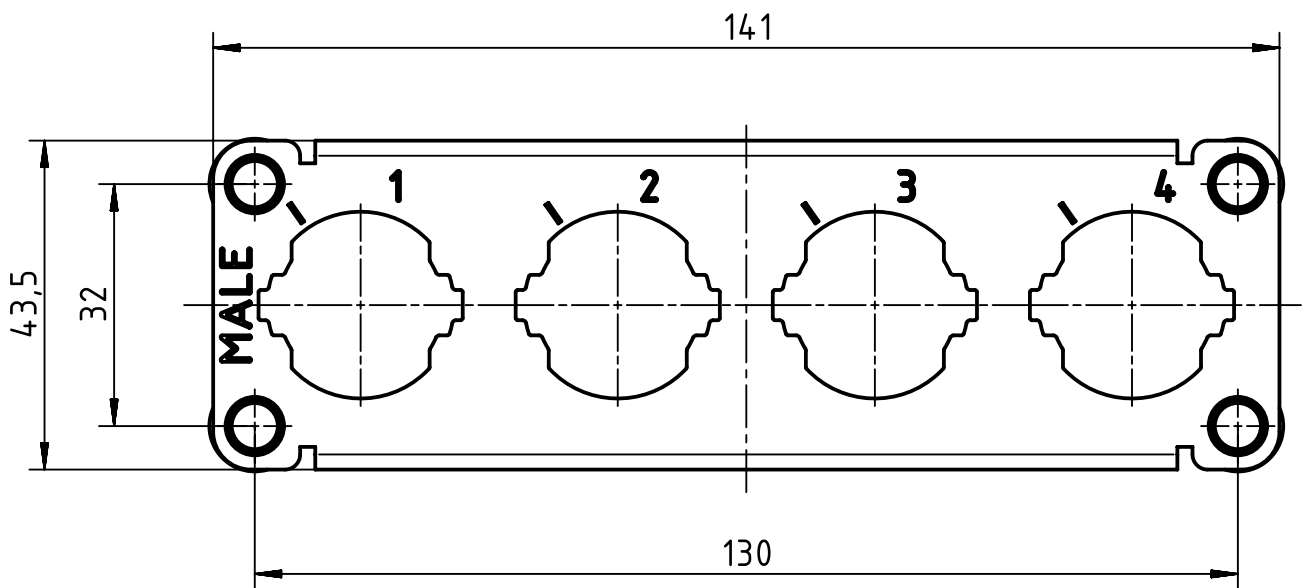
1 2 3 4 5 6

A

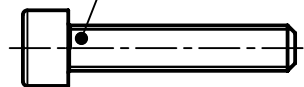
B

C

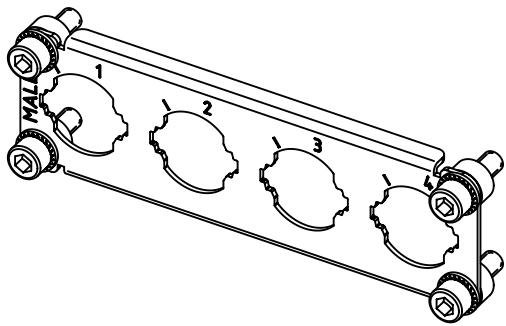
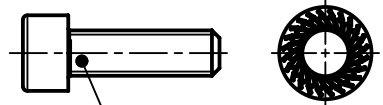
D

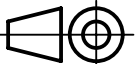



screw M6x30 for housings



screw M6x20 for hoods



| | | | | | | | |
|---|--|--|-----------------------------------|---------------------------|-----------------------------|--|------------------------|
|  | All Dimensions in mm Original Size DIN A4 | | Scale 1:1 | Free size tol. | | Ref. | |
| | | | | | | Sub. | |
|  | All rights reserved | | Created by KHOSROGORJI | Inspected by SCHNIEDER | Standardisation TIEMANNA | Date 2017-09-08 | State Final Release |
| | Department EL PD - DE | | Title Frame 4xHC250-M enlarged | | | Doc-Key / ECM-Nr. 100587135/UGD/001/B 500000124850 | |
| HARTING Electric GmbH & Co. KG D-32339 Espelkamp | | | Type TB | Number 09 11 000 9927 | | Rev. B | Page 1/1 |