

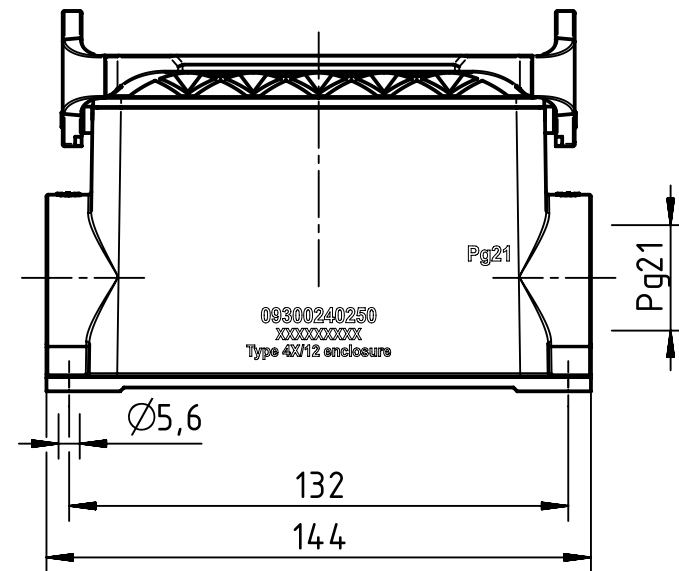
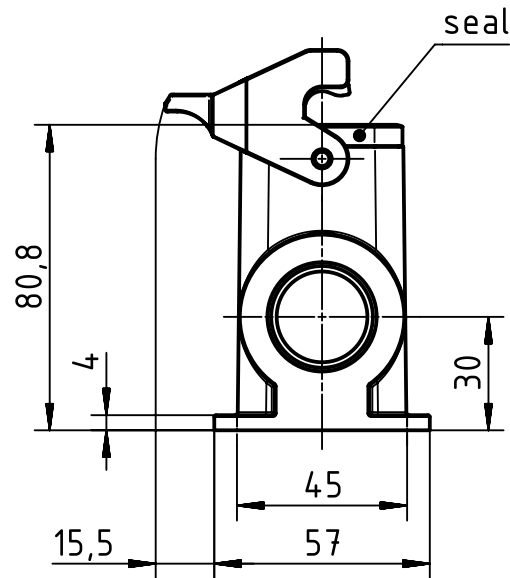
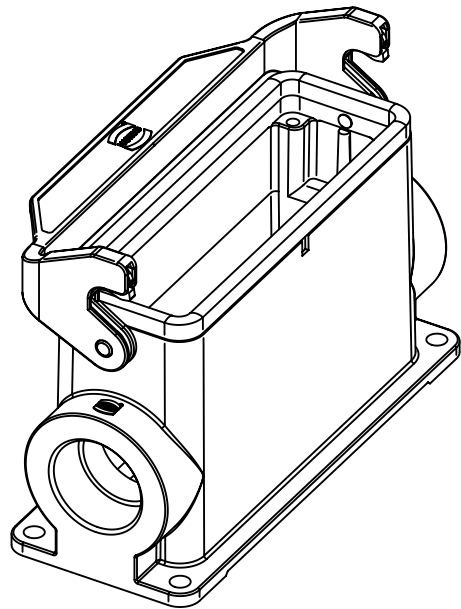
1 2 3 4 5 6

A

B

C

D



	All Dimensions in mm Original Size DIN A4		Scale 1:2	Free size tol.		Ref.
			Created by FINKEV	Inspected by GERB	Standardisation RUETERA	Sub.
All rights reserved Department EL PD		HARTING Electric GmbH & Co. KG D-32339 Espelkamp		Title Han 24B-asg1-LB-21		Date 2020-03-11
				State Final Release		Doc-Key / ECM-Nr. 100205770/UGD/004/B 500000166174
		Type TB		Number 09 30 024 0250		Rev. B
						Page 1/1